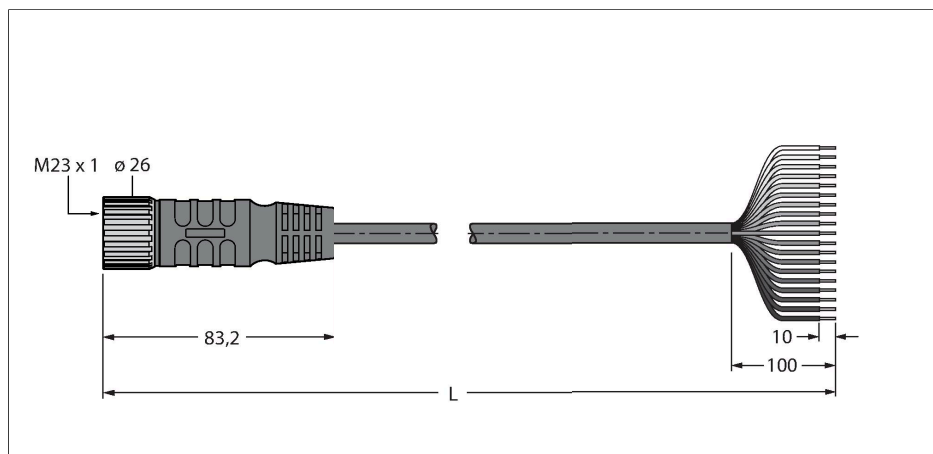


CKM19-19-10/TXL

Supply Cable for Multiple Passive Junction Box, TPU – Connection Cable

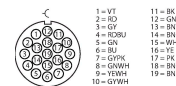


Features



- M23 female, straight, 19-pin
- Jacket material: TPU
- Jacket color: black
- Flame retardant acc. to FT1
- Free from halogen, silicone and PVC
- Particularly resistant to abrasion
- RoHS compliant
- Protection class IP67
- Cable length: 10 m

Contact assignment



- 1 = VT
- 2 = RD
- 3 = GY
- 4 = RDBU
- 5 = GN
- 6 = BU
- 7 = GYPK
- 8 = GWGH
- 9 = WYWH
- 10 = GYWH
- 11 = BK
- 12 = GNYE
- 13 = BNVE
- 14 = BNGN
- 15 = WH
- 16 = YE
- 17 = BK
- 18 = BNGY
- 19 = BN

Functional principle

Nominal current 9 A (pins 6, 12, 19)
Nominal current 2 A (other pins)

Technical data

Type	CKM19-19-10/TXL
ID	6631133
Connector A	Female, M23 × 1, Straight
Number of Pins	19
Contacts	Brass, CuZn, Gold-plated
Contact carriers	Plastic, TPU, Gray
Connector body	Plastic, TPU, Black
Coupling nut/screw	Brass, CuZn, Nickel-plated
Seal	Plastic, FPM/FKM
Mechanical lifespan	> 100 Mating cycles
Pollution degree	3
Protection class	IP67, Only in screwed condition
Cable	
Cable diameter	Ø 8.9 mm ±0.30
Cable length	10 m
Cable jacket	TPU, Black
Core insulation	PP
Core cross-section	16 x 0.32 mm ²
Arrangement of strands	19 x 0.23 mm
Core cross-section	3x 0.82 mm ²
Litz wire arrangement	19 x0.15 mm
Core colors	VT, RD, GY, RDBU, GN, BU, GYPK, WHGN, WHYE, WHGY, BK, GNYE, YE, BN, BNGN, WH, YE, PK, GYBN, BN
Electrical properties at +20 °C	
Rated voltage	150 V
Current	2 A

Technical data

Mechanical and chemical properties

Bending radius (stationary installation)	$\geq 5 \times \varnothing$
Bending radius (flexible use)	$\geq 10 \times \varnothing$
Ambient temperature range (stationary)	-40...+80 °C