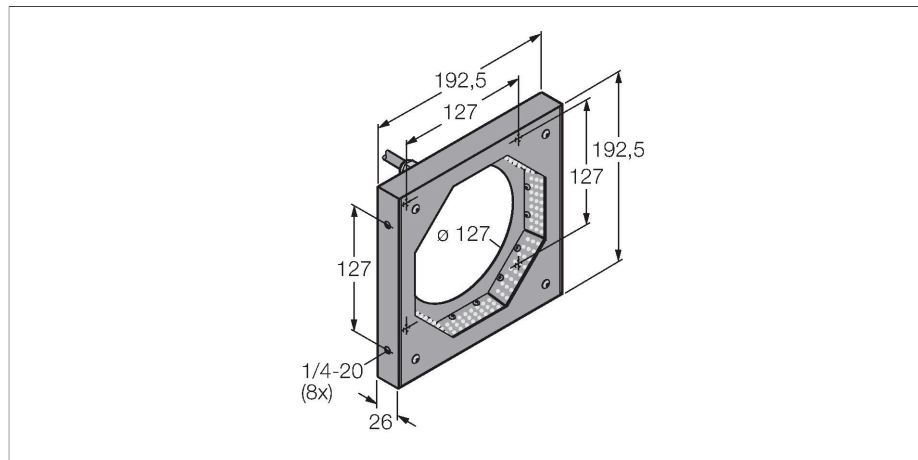


LEDII150-3W

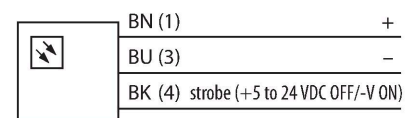
Vision System – Flat Angled Ring Light:



Features

- Visualizing surface irregularities
- Color: infrared
- Power supply: 24 VDC
- Cable, 2m

Wiring diagram



Technical data

Type	LEDII150-3W
ID	3076771
Signal and display data	
Purpose	Image processing
Function	Area light
Light type	IR
Wavelength	850...940 nm
LED service life (L70)	20000 h
Electrical data	
Operating voltage	24 VDC
DC rated operational current	≤ 350 mA
Max. current consumption per color	350 mA
Mechanical data	
Design	Rectangular
Dimensions	192.5 x 192.5 x 25.8 mm
Housing material	Metal, Anodized AL
Electrical connection	Cable, 2 m, PVC
Number of cores	3
Ambient temperature	0...+50 °C
Protection class	IP00
Tests/approvals	
Approvals	CE

Functional principle

Illumination almost vertical to the direction of inspection. Improved contrast of surface properties