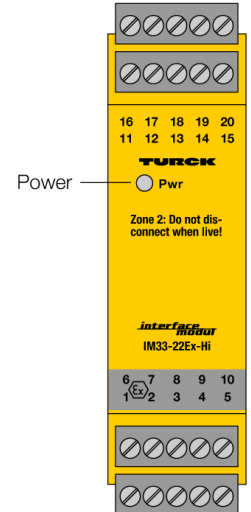
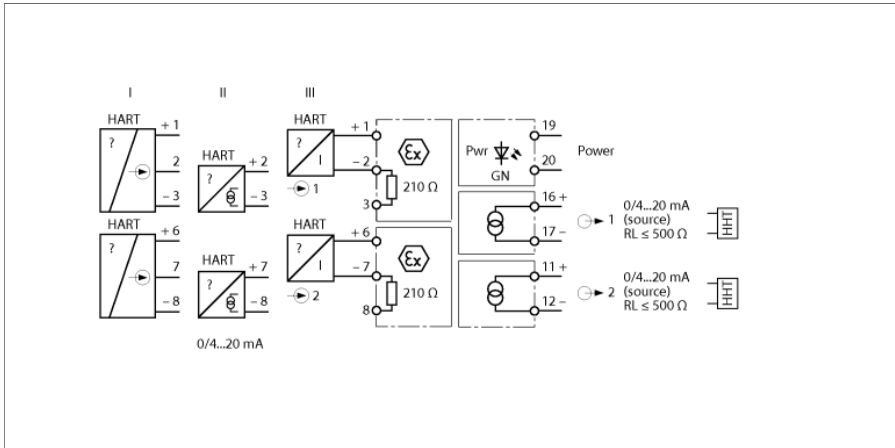


# Isolating transducer 2-channel IM33-22EX-HI



The 2-channel HART®isolating transducer IM33-22EX-HI is designed to operate intrinsically safe HART®2-wire transducers (III) in the Ex area and to transmit the measured signals to the non-Ex area. In addition to the analog signals, also the digital HART®communication signals can be transmitted bidirectionally.

Alternatively, active 2-wire HART® transmitters (II) and passive 3-wire HART® transmitters (I) can be operated.

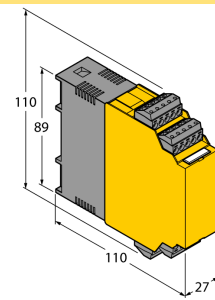
The device features 0/4...20 mA input and output circuits. A green LED indicates operational readiness.

The input signals are transmitted 1:1 without interference and made available at the outputs in the non-Ex area.

The removable terminal blocks feature test sockets (Ø 2 mm) for connection of a HART® handheld.

- Power supply of 2-wire measuring transducers with HART communication as well as connection to active 2-wire and passive 3-wire transmitters
- Input circuits: 0/4...20 mA
- Output circuits: 0/4...20 mA
- Complete galvanic isolation
- Input reverse-polarity protected
- ATEX, IECEx, cFM<sub>US</sub>, TR CU, INMETRO, NEPSI
- Installation in zone 2

## Dimensions



Type	IM33-22EX-HI
ID	7506445
<b>Nominal voltage</b>	
Nominal voltage	Universal voltage supply unit
Operating voltage	20...250 VAC
Frequency	40...70 Hz
Operating voltage	20...125 VDC
Power consumption	≤ 3 W
<b>Transmitter connection</b>	
Supply voltage	≥ 17 V / 20 mA
Current	25 mA
Input current	0/4...20 mA
Input resistance (current)	≤ 250 Ω
<b>Output circuits</b>	
Output current	0/4...20 mA
Load resistance current output	≤ 0.5 kΩ
<b>Response characteristic</b>	
Rise time (10...90 %)	≤ 50 ms
Fall time (90...10 %)	≤ 50 ms
Measuring accuracy (including linearity, hysteresis and repeatability)	≤ 0.1 % of full scale
Reference temperature	23 °C
Temperature drift	≤ 0.005 % of full scale/K
<b>Galvanic isolation</b>	
Test voltage	2.5 kV RMS
<b>Important note</b>	
	For Ex-applications the values specified in the corresponding Ex certificates (ATEX, IECEx, UL, etc.) apply.
Ex approval acc. to conformity certificate	TÜV 05 ATEX 2910
Application area	II (1) G; II (1) D
Ignition protection category	[Ex ia Ga] IIC; [Ex ia Da] IIIC
Ex approval acc. to conformity certificate	TÜV 06 ATEX 2967 X
Application area	II 3 G
Ignition protection type	Ex nA [ic Gc] IIC T4 Gc
Characteristic	trapezoidal
<b>Displays/Operating elements</b>	
Operational readiness	Green
<b>Mechanical data</b>	
Protection class	IP20
Flammability class acc. to UL 94	V-0
Ambient temperature	-25...+70 °C
	-25 ... +60 °C für FM
Storage temperature	-40...+80 °C
Dimensions	110 x 27 x 110 mm
Weight	237 g
Mounting instructions	DIN rail (NS35) or panel
Housing material	Polycarbonate/ABS
Electrical connection	4 × 5-pin removable terminal blocks with test socket, reverse polarity protected, screw terminal
Terminal cross-section	1 × 2.5 mm <sup>2</sup> /2 × 1.5 mm <sup>2</sup>
Tightening torque	0.5 Nm

**Accessories**

Type code	Ident no.		Dimension drawing
IM-CC-5X2BU/2BK	7504031	Cage clamp terminals for IM modules (Ex-devices with 27 mm overall width); includes: 2 pcs. 5-pin blue terminals and 2 pcs. 5-pin black terminals.	