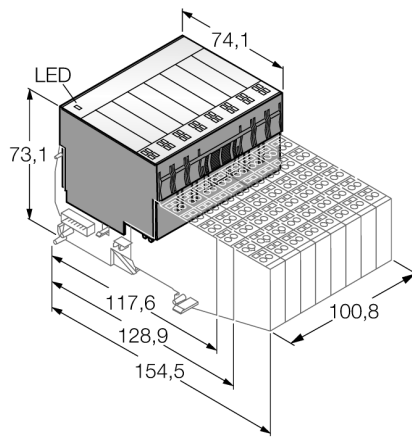


BL20 electronic module

16 Digital Outputs, PNP, 0.5 A

BL20-16DO-24VDC-0.5A-P



- Fieldbus and connection technology independent
- Protection class IP20
- LEDs indicate status and diagnostic
- Electronics galvanically separated from the field level via optocouplers
- 16 digital outputs, 24 VDC, max. 0.5 A, PNP switching

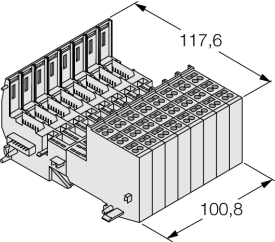
Functional principle

BL20 electronic modules are plugged into the purely passive base modules which are used for connection of field devices. Maintenance is significantly facilitated due to separation of the connection level from the module electronics. Furthermore flexibility is enhanced because the base modules provide a choice of tension spring or screw connection technology.

The electronic modules are completely independent of the type of higher level field bus through the use of gateways.

Type	BL20-16DO-24VDC-0.5A-P
ID	6827027
Number of channels	16
Rated voltage from the supply terminal	24 VDC
Nominal current from field supply	≤ 50 mA
Nominal current from module bus	≤ 120 mA
Power dissipation, typical	≤ 4 W
Output connectivity	Screw, tension spring
Outputs	
Output type	PNP
Output voltage	24 VDC
Output current per channel	0.5 A
Output delay	0.1 ms
Load type	resistive, inductive, lamp load
Load resistance, resistive	> 48 Ω
Load resistance, inductive	< 1.2 H
Lamp load	< 6 W
Switching frequency, resistive	< 100 Hz
Short-circuit protection	yes
Simultaneity factor	1
Electrical isolation	electronics for the field level
Number of diagnostic bits	4
Dimensions (W x L x H)	100.8 x 74.1 x 55.4 mm
Approvals	CE, cULus, zone 2, Class I, Div. 2
Ambient temperature	0...+55 °C
Storage temperature	-25...+85 °C
Relative humidity	15...95 %, no condensation allowed
Vibration test	Acc. to EN 61131
Shock test	Acc. to IEC 60068-2-27
Drop and topple	acc. to IEC 68-2-31 and free fall to IEC 68-2-32
Electromagnetic compatibility	Acc. to EN 50082-2
Protection class	IP20

Compatible base modules

Dimension drawing	Type	Pin configuration
	<p>BL20-B3T-SBC 6827061 Tension spring connection, access to C rail</p> <p>BL20-B3S-SBC 6827062 Screw connection, access to C rail</p>	<p>Wiring Diagram</p> 