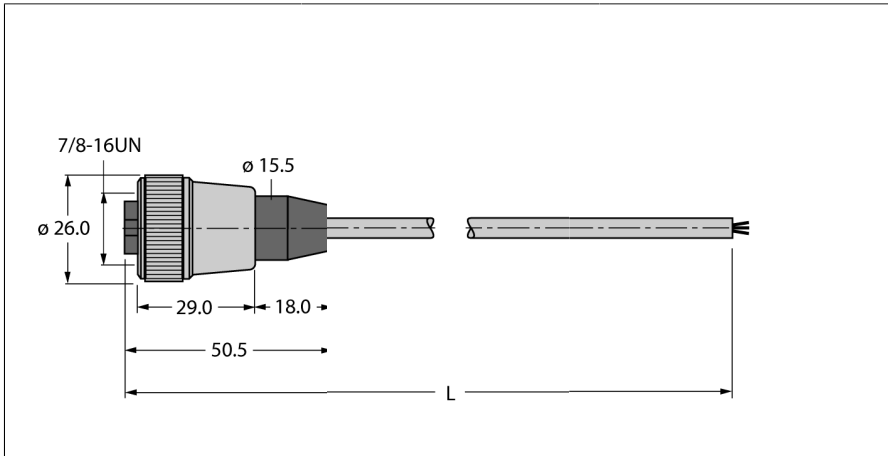
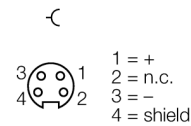
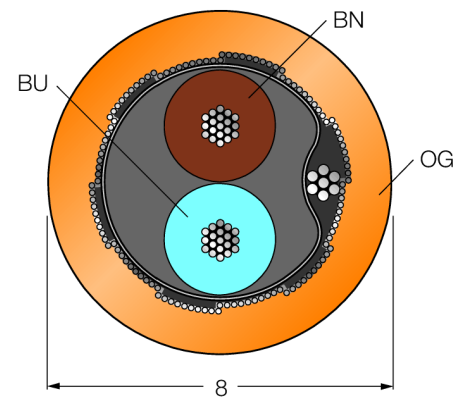


Fieldbus cable for fieldbus systems according to IEC61158-2, 4-pole RKV-FBY48OG-3M/5D



- Fieldbus cable, type A, acc.to IEC 61158-2
- PVC jacket, orange
- Oil, gas and sunlight resistant
- Temperature range -40...+75 °C
- Cable cross section: 18/7 AWG (0.8 mm²)
- Open end
- 7/8" female, straight, stainless steel
- Cable length 3 m

Cable Cross-section



| | |
|--|---|
| Type | RKV-FBY48OG-3M/5D |
| ID | 8900541 |
| Connector A | Female, 7/8"-16 UN, Straight |
| Number of Pins | 4 |
| Contacts | Metal, CuZn, Gold-plated |
| Contact carriers | Plastic, TPU, Black |
| Connector body | Plastic, PUR, Black |
| Protection class | IP67, Only in screwed condition |
| Cable diameter | Ø 8mm -0.30 |
| Cable length | 3 m |
| Cable jacket | PVC, Orange |
| Shielding | Plastic-covered aluminum foil, metal side outside, makes contact with drain wire and tinned copper wire |
| Bending radius (stationary installation) | ≥ 5 x Ø |
| Core insulation | PE foam with PE jacket |
| Core colors | BN, BU |
| Core cross-section | 2 x 0.8 |
| DC resistance (loop) | 43.6 Ω/km |
| Shield resistance | Nom. 9 Ω/km |
| Nom. impedance | 100 ± 20 Ω (31.25 kBit/s) |
| Working capacitance | Nom. 60 nF/km |
| Capacitive earthing | max. 2 nF/km |
| Damping | max. 3.0 dB/km (with f = 39 kHz) |
| Skew | max. 1.7 µs/km (7.9 kHz - -39 kHz) |
| Nom. Inductance | 0.7 mH/km |
| Voltage | 300 V |
| Ambient temperature range (stationary) | -40...+75°C |
| Ambient temperature range (In motion) | -5...+50°C |
| UV resistance | Acc. to UL 1581, section 1200 |
| Oil-resistant | according to ICEA S82-552 |
| Flame-retardant | according to IEC 60332-3 |