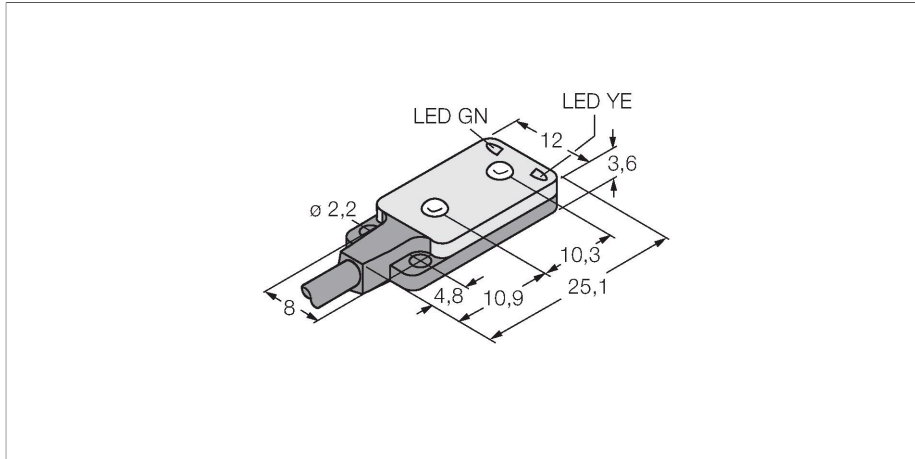


VS2RP5CV30Q

Photoelectric Sensor – Convergent Mode Sensor

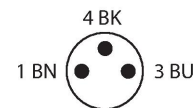
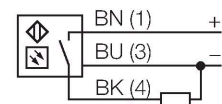
Miniature Sensor



Features

- Cable with male end, M8 × 1, 3-pin, PVC, 150 mm
- Operating voltage: 10...30 VDC
- Ultra flat design
- PNP switching output, dark operation

Wiring diagram



Technical data

Type	VS2RP5CV30Q
ID no.	3063081
Optical data	
Function	Proximity switch
Operating mode	Convergent
Light type	Red
Wavelength	660 nm
Focal distance	30 mm
Range	30 mm
Electrical data	
Operating voltage	10...30 VDC
Residual ripple	< 10 % U _{ss}
DC rated operational current	≤ 50 mA
No-load current	≤ 25 mA
Short-circuit protection	yes
Reverse polarity protection	yes
Output function	NO contact, dark operation, PNP
Switching frequency	≤ 500 Hz
Readiness delay	≤ 100 ms
Response time typical	< 1 ms
Mechanical data	
Design	Rectangular, VS2
Dimensions	4.7 x 12 x 25.1 mm
Housing material	Plastic, Thermoplastic material
Lens	plastic, MABS

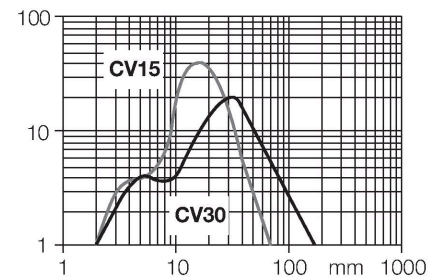
Functional principle

Convergent mode sensors are equipped with a lens in front of the emitter diode that produces a small and intense focal point at a defined distance from the sensor. Similar to diffuse mode sensors, the light reflected by the target is evaluated. Convergent mode sensors are ideal for detection of small targets or colour marks and edge guiding or positioning control of transparent materials. The targets must always be within the focal depth of the sensors. The focal depth is defined as the area in front of or behind the focal point within which the object can be detected. Based on the intense light concentration in the focal point, convergent mode sensors are capable of detecting targets with a low reflectivity.

Excess gain curve
Excess gain in relation to the distance

Technical data

Electrical connection	Cable with connector, M8 × 1, 0.15 m, PVC
Number of cores	3
Ambient temperature	-20...+55 °C
Protection class	IP67
Power-on indication	LED, Green
Switching state	LED, Yellow
Error indication	LED, green, Flashing
Excess gain indication	LED
Alarm display	LED yellow Flashing
Tests/approvals	
Approvals	CE



Accessories

SMBVS2RA	3058603
mounting bracket, straight	

Accessories

Dimension drawing	Type	ID no.	
	PKG3M-2/TEL	6625058	Connection cable, female M8, straight, 3-pin, cable length: 2 m, sheath material: PVC, black; cULus approval; other cable lengths and qualities available, see www.turck.com
	PKW3M-2/TEL	6625064	Connection cable, female M8, angled, 3-pin, cable length: 2 m, sheath material: PVC, black; cULus approval; other cable lengths and qualities available, see www.turck.com