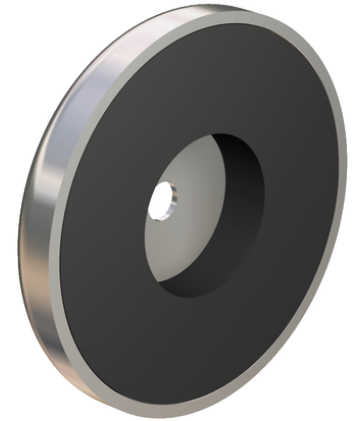
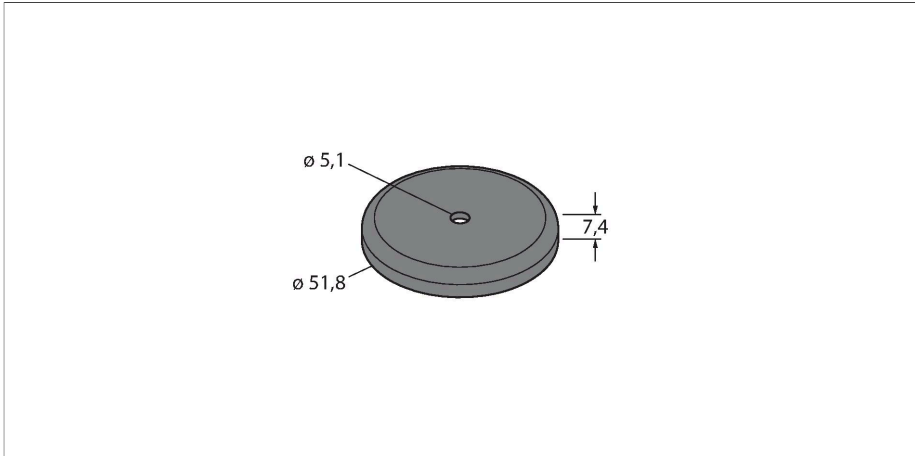


# SMBWLSMAG

## Accessories – Magnetic Fixture



### Technical data

Type	SMBWLSMAG
ID	3019574
Dimensions	$\varnothing 51.8 \times 7.4$ mm
Housing material	Metal

### Features

- Magnetic fixture for work lights and sensors
- Easy attachment to metal surfaces
- Load capacity up to 15 kg
- Included are two magnet fixing brackets, two mounting bolts and two nuts with snap rings.