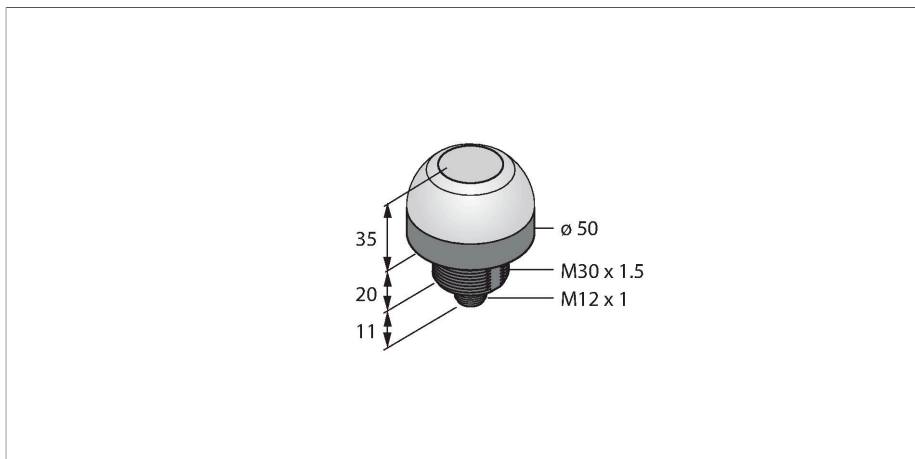


K50ABT2RGHQ

Pick-to-Light – Placement Sensor

Capacitive Sensor



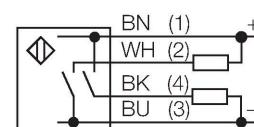
Technical data

Type	K50ABT2RGHQ
ID	3096733
Signal and display data	
Purpose	Pick-to-Light
Function	Touch Button
Light type	Red Green
LED service life (L70)	50000 h
Switch Function	Momentary
Features of color 1	Red, Permanently on, 13 lm
Features of color 2	Green, 29 lm
Special features	I/O module-compatible Wash down
Electrical data	
Operating voltage	12...30 VDC
DC rated operational current	≤ 150 mA
Max. current consumption per color	75 mA
Output function	NO contact, PNP/NPN
Input type	PNP
Response time typical	< 50 ms
Mechanical data	
Design	Dome, K50
Dimensions	Ø 50 x 66 mm
Housing material	Plastic, PC, Black
Window material	Polycarbonate, diffuse
Electrical connection	Connector, M12 × 1, PVC

Features

- Protection classes IP67/IP69K
- M12 × 1 male connector, 8-pin
- Disabled: No color
- Enabled: Green (COL 2)
- Operating voltage 10...30 VDC
- Bipolar circuit
- NO contact
- Capacitive sensor of the second generation
- High immunity to false actuation by splashing, detergents, oils and other contaminants

Wiring diagram



Functional principle

The K50 pick-and-place sensor is suitable for many mounting and component placement applications. LED light is reflected perfectly by the entire dome. The device has two display colors depending on the version: Color 1 Shows the disabled state, color 2 the enabled state. Since the device has no inputs, a color change is exclusively realized by touching the sensor (enable). Devices with a hold function keep the enabled state, even when the contact ends.

Technical data

Number of cores	5
Ambient temperature	-40...+50 °C
Relative humidity	0...90 %
Protection class	IP67 IP69
Tests/approvals	
MTTF	146 years acc. to SN 29500 (Ed. 99) 40 °C
Approvals	CE, cULus listed

Accessories

SMB30A	3032723	SMB30SC	3052521
Mounting bracket, rectangular, stainless steel, for sensors with 30mm thread		Mounting bracket, PBT black, for sensors with 30 mm thread, rotatable	
SMB30FA	3074005		
Montagewinkel; Werkstoff VA 1.4401			

Accessories

Dimension drawing	Type	ID	
	RKC4.4T-2/TEL	6625013	Connection cable, M12 female connector, straight, 4-pin, cable length: 2 m, jacket material: PVC, black; cULus approval
	WKC4.4T-2/TEL	6625025	Connection cable, M12 female connector, angled, 4-pin, cable length: 2 m, jacket material: PVC, black; cULus approval