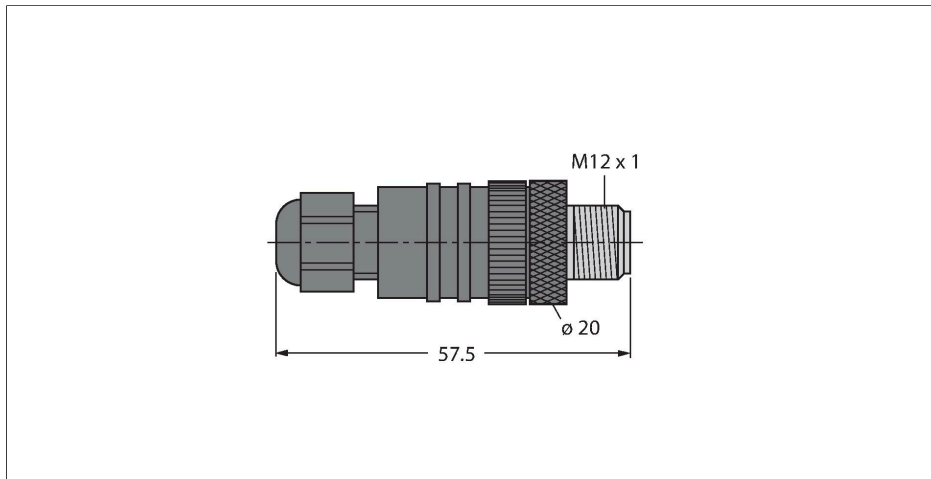


# WAS5-THERMO

## Accessories for Fieldbus Systems – M12 × 1 Round Connector with Pt1000 Sensor

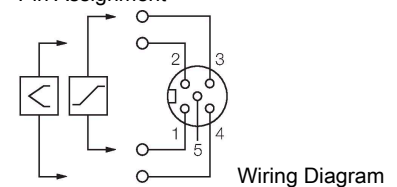


### Features

- Accessories for thermocouple module
- Terminating resistor
- M12 × 1 round connector
- For cold junction compensation
- Pt1000 sensor integrated

### Headline Wiring Diagram

Pin Assignment



### Technical data

Type	WAS5-THERMO
ID	6824260
Connector A	Male, M12 × 1, Straight
Number of Pins	5
Contacts	Metal, CuZn, Gold-plated
Contact carriers	Plastic, PA, Black
Connector body	Plastic, PA, Black
Coupling nut/screw	CuZn, Nickel-plated
External diameter of the cable	3...6.5 mm
Core cross-section/Clamping ability	max. 0.75 mm <sup>2</sup>
Connection mode	Screw/clamp connection
Pollution degree	3
Protection class	IP67, (screwed together)
<b>Electrical properties at +20 °C</b>	
Rated voltage	60 V
Insulation resistance	≥ 10 <sup>8</sup> Ω
forward resistance	≤ 5 mΩ
<b>Mechanical and chemical properties</b>	
Oil-resistant	yes
Approvals	UL