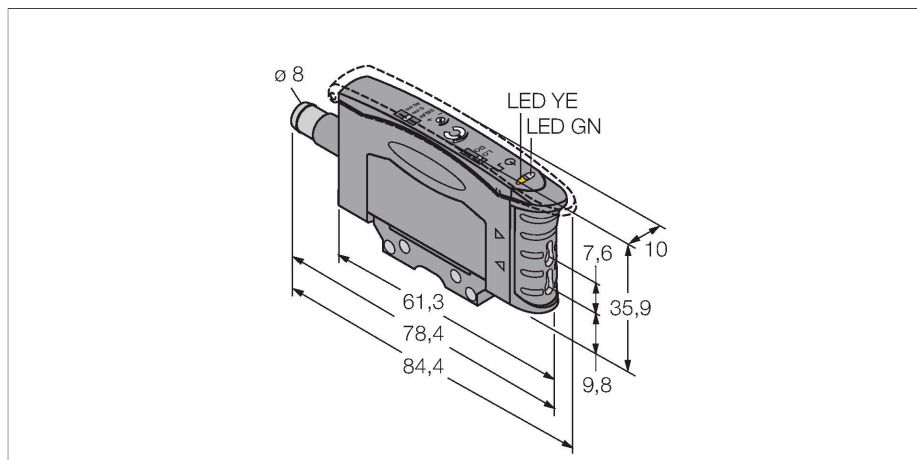


# D10AFPYQ

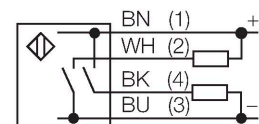
## Photoelectric Sensor – Photoelectric Sensor for Plastic Fibers



### Features

- Male 8 mm, 4-pin, snap-lock
- Light/dark operation
- Red visible light
- Operating voltage 10...30 VDC
- Switch-off delay 40 ms, selectable
- Max. switching frequency 2.5 kHz
- Sensitivity adjusted via 12-turn potentiometer

### Wiring diagram



### Functional principle

Glass or fibre optic sensors are the optimum choice for high temperature or space restricted applications. Fibre optics transfer the light from the sensor to a remote object. Individual fibre optics are used for opposed mode sensing, whereas bifurcated fibre optics are suited for diffuse mode operation.

### Technical data

Type	D10AFPYQ
ID no.	3073122
<b>Optical data</b>	
Function	Photoelectric sensor for plastic fibers
Fiber-optic type	plastic
Light type	Red
Wavelength	660 nm
<b>Electrical data</b>	
Operating voltage	10...30 VDC
Residual ripple	< 10 % U <sub>ss</sub>
DC rated operational current	≤ 100 mA
No-load current	≤ 25 mA
Short-circuit protection	yes
Reverse polarity protection	yes
Output function	NO contact, PNP/NPN
Switching frequency	2.5 kHz
Readiness delay	≤ 100 ms
Response time typical	< 0.2 ms
Setting option	Potentiometer
<b>Mechanical data</b>	
Design	Rectangular, D10A
Dimensions	84.4 x 10 x 35.9 mm
Housing material	Plastic, Thermoplastic material, Black
Electrical connection	Connectors, M8 × 1, PVC
Number of cores	4
Ambient temperature	-20...+55 °C
Relative humidity	0...90 %

## Technical data

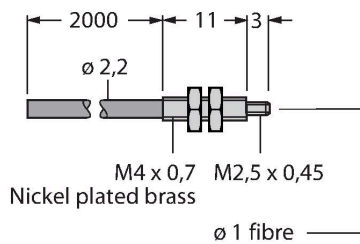
Protection class	IP50
Special features	keep/defer Crosstalk protection
Power-on indication	LED, Green
Switching state	LED, Yellow
Excess gain indication	LED, yellow, flashing
<b>Tests/approvals</b>	
Approvals	CE, cURus

## Accessories

SMBR55F01	3067104	SMBR55FRA	3058809
	Mounting panel, PBT, black, for R55F series, wall mounting		Mounting bracket, 19-ga. stainless steel, for D10, DF-G1 and R55F series, lateral wall mounting
DIN-35-70	3026604	DIN-35-105	3030470
	DIN rail, width 35 mm, length 70 mm		DIN rail, width 35 mm, length 105 mm
DIN-35-140	3026605		
	DIN rail, width 35 mm, length 140 mm		

## Accessories

Dimension drawing	Type	ID no.	
	PIT46U	3026034	Plastic fiber-optic sensor, operating mode: Opposed mode, threaded sleeve M3 x 0.5 mm, field wireable wire without end tip, polyethylene sheath, ambient temperatures -30 °C...+70 °C



Dimension drawing	Type	ID no.	
	PBT46U	3025967	Plastic fiber-optic sensor, operating mode: Diffuse mode, threaded sleeve M3 x 0.75 mm, field wireable wire without end tip, polyethylene sheath, ambient temperatures -30 °C...+70 °C

