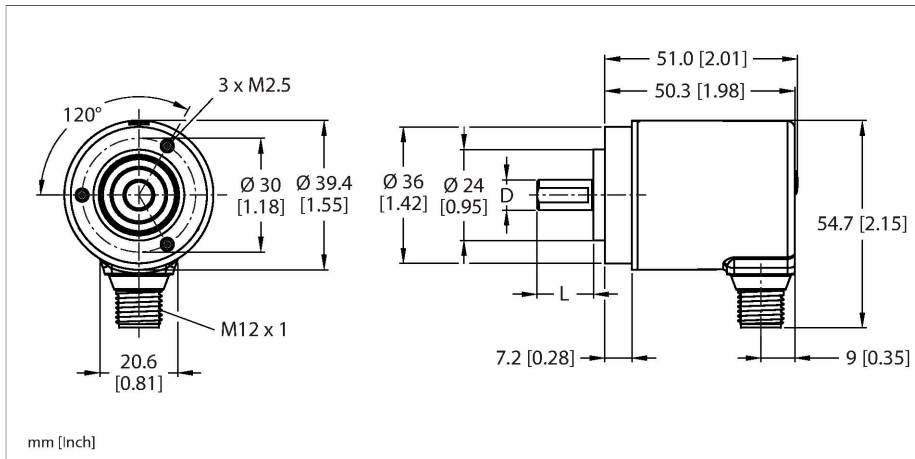


REM-190SA0C-IOL32B-H1141

Absolute Rotary Encoder - Multiturn – IO-Link Industrial Line



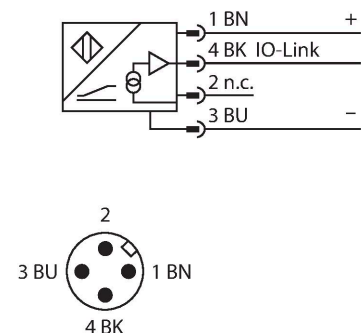
Technical data

Type	REM-190SA0C-IOL32B-H1141
ID	100018238
Measuring principle	Magnetic
General data	
Max. Rotational Speed	4000 rpm
Starting torque	< 0.01 Nm
Repetition accuracy	± 0.2 °
Absolute accuracy	± 0.5 °
Output type	Absolute multiturn
Electrical data	
Operating voltage	18...30 VDC
No-load current	30 mA
Short-circuit protection	yes
Wire breakage/Reverse polarity protection	yes
Communication protocol	IO-Link
IO-Link	
IO-Link specification	V 1.1
Programming	FDT/DTM
Mechanical data	
Design	Solid shaft
Flange type	Clamping flange
Flange diameter	Ø 36 mm
Shaft Type	Solid shaft
Shaft diameter D [mm]	6.35
Shaft Length L [mm]	12.5

Features

- Clamping flange, Ø 36 mm
- Solid shaft, Ø 6.35mm × 12.5mm
- Magnetic measuring principle
- Shaft material: stainless steel
- Protection class IP67 on housing and shaft side
- -40...+85 °C
- Max. 4000 rpm (continuous operation 2000 rpm)
- Energy harvesting technology
- 18...30 VDC
- M12 × 1 male connector, 4-pin
- Singleturn resolution 14 bit scalable, default 14 bit
- Multiturn resolution scalable only to 18 bits over total resolution, default 18 bits
- Total resolution 32 bit scalable, default 32 bit

Wiring diagram



Technical data

Shaft material	Stainless steel
Housing material	Die-cast zinc
Electrical connection	Connector, M12 × 1
Axial shaft load	20 N
Radial shaft load	40 N
Environmental conditions	
Ambient temperature	-40...+85 °C
Vibration resistance (EN 60068-2-6)	300 m/s ² , 10...2000 Hz
Shock resistance (EN 60068-2-27)	2500 m/s ² , 6 ms
Protection class	IP67
Protection class shaft	IP67
MTTF	25 years