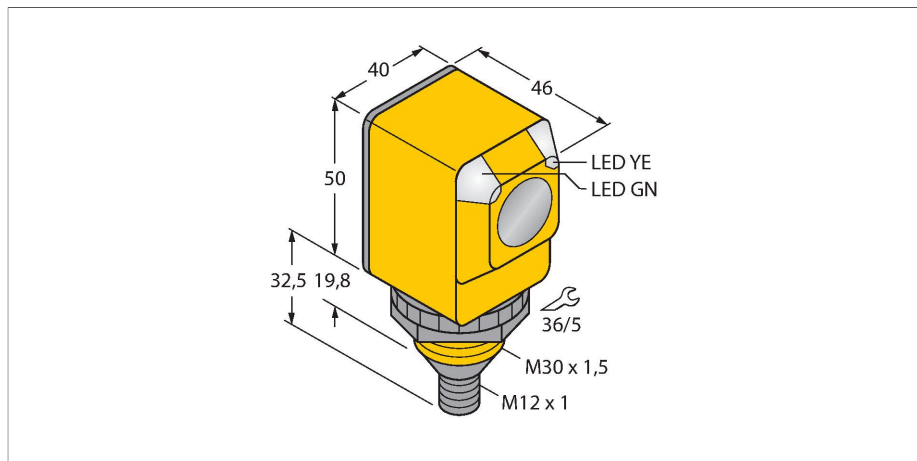


# Q40SP6FF600Q2

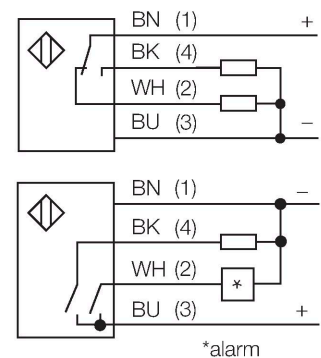
## Photoelectric Sensor – Diffuse Mode Sensor with Fixed-Field Background Suppression



### Features

- M12 × 1 Micro male connector (AC), 4-pin
- Protection classes IP67/IP69K
- Ambient temperature: -40 °C...+70 °C
- Operating voltage: 10...30 VDC
- PNP switching output, changeover

### Wiring diagram

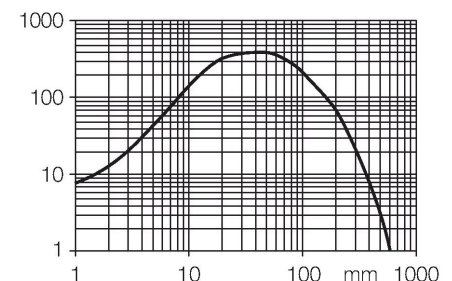


### Functional principle

The emitter and receiver are incorporated in a single housing. The light reflection of the target is detected and triggers the sensor to switch. Thus the switching distance largely depends on the reflectivity of the target.

Excess gain curve

Excess gain in relation to the distance



### Technical data

Type	Q40SP6FF600Q2
ID no.	3069459
<b>Optical data</b>	
Function	Diffuse mode sensor with fixed-field background suppression
Light type	IR
Wavelength	880 nm
Range	0...600 mm
<b>Electrical data</b>	
Operating voltage	10...30 VDC
No-load current	≤ 25 mA
Short-circuit protection	yes / Cyclic
Reverse polarity protection	yes
Output function	Connection programmable, PNP
Switching frequency	≤ 160 Hz
Readiness delay	≤ 100 ms
Response time typical	< 3 ms
Overcurrent release	> 220 mA
<b>Mechanical data</b>	
Design	Rectangular, Q40
Dimensions	Ø 30 x 46 x 40.1 x 82.5 mm
Housing material	Plastic, PBT
Lens	plastic, Acrylic
Electrical connection	Connectors, 7/8", PVC
Number of cores	4
Ambient temperature	-40...+70 °C

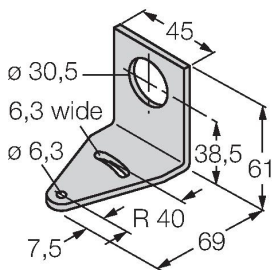
## Technical data

Protection class	IP69
Special features	Wash down
Power-on indication	LED, Green
Switching state	LED, Yellow
Error indication	LED, green, Flashing
Excess gain indication	LED
Alarm display	LED yellow Flashing
<b>Tests/approvals</b>	
MTTF	448 years acc. to SN 29500 (Ed. 99) 40 °C
Approvals	CE, UL, CSA

## Accessories

SMB30A

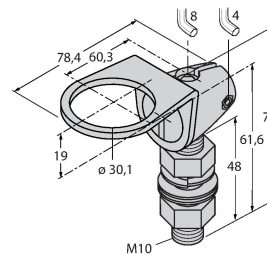
3032723



Mounting bracket, rectangular, stainless steel, for sensors with 30mm thread

SMB30FAM10

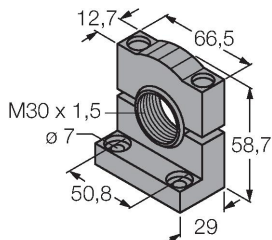
3011185



Mounting bracket, stainless steel, for M10 x 1.5 thread, thread length 30 mm

SMB30SC

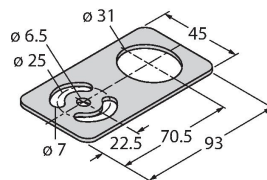
3052521



Mounting bracket, PBT black, for sensors with 30 mm thread, rotatable

SMBAMS30P

3073135



Mounting bracket, stainless steel, for sensors with 30 mm thread