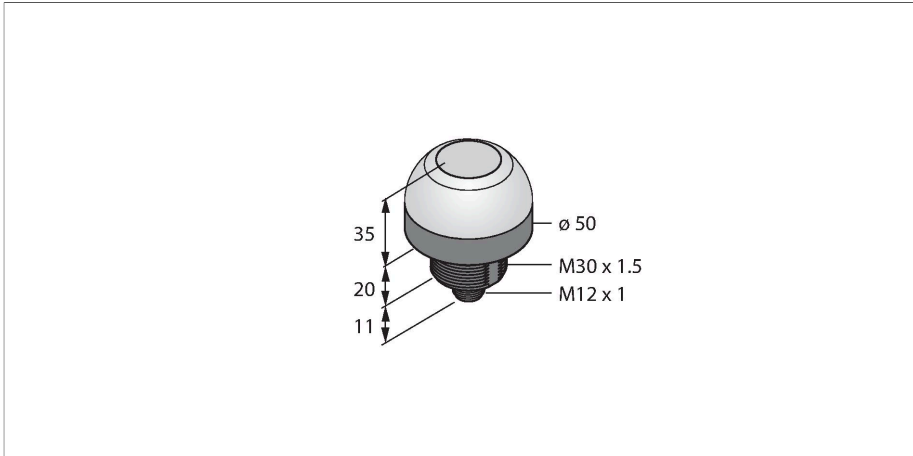


K30ABT2XYHQ

Pick-to-Light – Placement Sensor

Capacitive Sensor



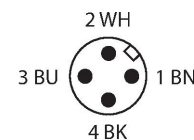
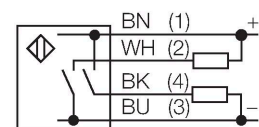
Technical data

Type	K30ABT2XYHQ
ID	3802478
Signal and display data	
Purpose	Pick-to-Light
Function	Touch Button
Light type	Yellow
LED service life (L70)	50000 h
Switch Function	Momentary
Features of color 2	Yellow, 4.4 lm
Special features	Wash down
Electrical data	
Operating voltage	12...30 VDC
DC rated operational current	≤ 150 mA
Max. current consumption per color	55 mA
Output function	NO contact, PNP/NPN
Input type	Bipolar (PNP/NPN)
Response time typical	< 150 ms
Mechanical data	
Design	Dome, K30
Dimensions	Ø 30 x 54.5 mm
Housing material	Plastic, PC, Black
Window material	Polycarbonate, diffuse
Electrical connection	Connector, M12 × 1, PVC
Number of cores	5
Ambient temperature	-40...+50 °C

Features

- Protection classes IP67 IP69K
- M12 x 1 male connector, 5-pin
- Disabled: No color
- Enabled: Yellow (COL 2)
- Operating voltage 10...30 VDC
- Bipolar circuit
- NO contact
- Capacitive sensor of the second generation
- High immunity to false actuation by splashing, detergents, oils and other contaminants

Wiring diagram



Functional principle

The K30 pick-and-place sensor is suitable for many assembly and placement sequences. LED light is reflected perfectly by the entire dome. The device has two display colors depending on the version: Color 1 Shows the disabled state, color 2 the enabled state. Since the device has no inputs, a color change is exclusively realized by touching the sensor (enable). Devices with a hold function keep

Technical data

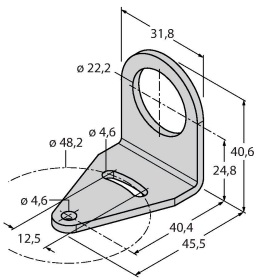
the enabled state, even when the contact ends.

Relative humidity	0...90 %
Protection class	IP67 IP69
Tests/approvals	
Approvals	CE, cULus listed

Accessories

SMB22A	3079414
--------	---------

Mounting bracket, stainless steel, for K30L series



Accessories

Dimension drawing	Type	ID	
	RKC4.4T-2/TEL	6625013	Connection cable, M12 female connector, straight, 4-pin, cable length: 2 m, jacket material: PVC, black; cULus approval
	WKC4.4T-2/TEL	6625025	Connection cable, M12 female connector, angled, 4-pin, cable length: 2 m, jacket material: PVC, black; cULus approval