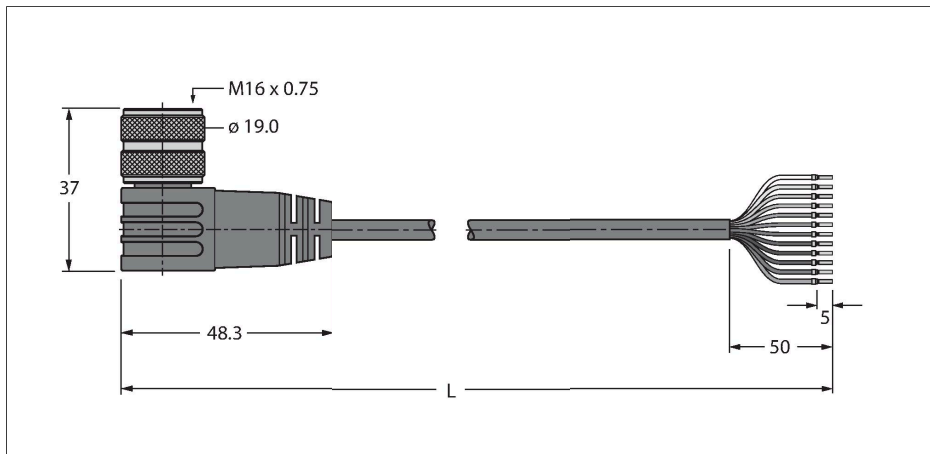


BKWM19-E01-2/S90

Actuator and sensor cable – Connection Cable



Features

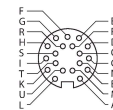


- M16 connector, female, angled, 19-pin
- Sheath material: TPU
- Sheath color: black
- Flame-retardant (FT1)
- Approval: UL and CSA
- RoHS-compliant
- Protection class IP67
- Cable length: 2.0 m

Technical data

Type	BKWM19-E01-2/S90
ID	6935123
Connector A	Female, M16 × 0.75, Angled
Number of Pins	19
Contacts	Brass, CuZn, Gold-plated
Contact carriers	Plastic, TPU, Black
Connector body	Plastic, TPU, Black
Coupling nut/screw	Brass, CuZn, Nickel-plated
Seal	Plastic, FPM/FKM
Mechanical lifespan	> 100 Mating cycles
Pollution degree	3
Protection class	IP67
Cable	
Network protocol	S90
Cable diameter	Ø 7.9 mm ±0.30
Cable length	2 m
Cable jacket	TPU, Black
Shielding	no
Core insulation	PVC
Core cross-section	2 x 0.52 mm ²
Arrangement of strands	19 x 0.19 mm
Core cross-section	16x 0.21 mm ²
Litz wire arrangement	19 x0.13 mm
Core colors	WH/GY, WH/YE, GN, RD, GY/PK, PK, RD/BU, BK, BN/GN, YE/BN, GY/BN, BN, YE, GY, WH/GN, WH, VT, BU
Electrical properties at +20 °C	
Rated voltage	300 V

Contact assignment



Circuit Diagram

A)	WH/GY
B)	WH/YE
C)	GN
D)	RD
E)	GY/PK
F)	PK
G)	RD/BU
H)	BK
J)	BN/GN
K)	YE/BN
L)	GY/BN
M)	BN
N)	YE
O)	GY
P)	WH/GN
R)	WH
S)	VT
T)	n.c.
U)	BU

Technical data

Current 3 A

Mechanical and chemical properties

Bending radius (stationary installation) $\geq 5 \times \varnothing$

Bending radius (flexible use) $\geq 10 \times \varnothing$

Ambient temperature range (stationary) -40...+90 °C
