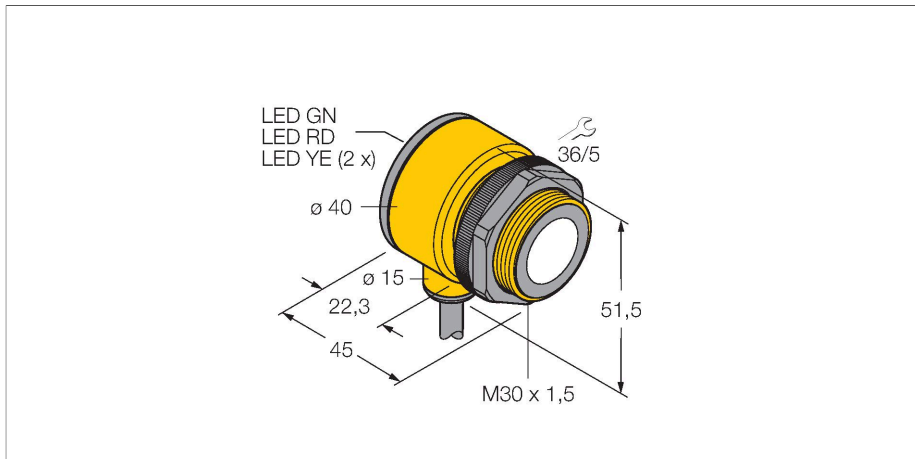


T30UIPB-CRFV

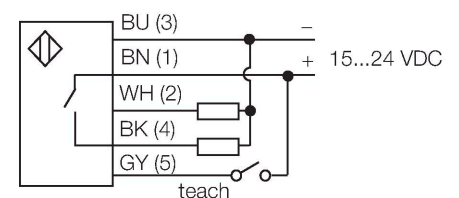
Ultrasonic Sensor – diffuse mode sensor With Analog Output



Features

- Compact design
- Cable, 2 m
- Operating voltage 15...24 VDC
- PNP transistor output and analog output for current
- Measuring range adjustable via teach-in
- Blind zone: 30 cm
- Range: 200 cm

Wiring diagram



Functional principle

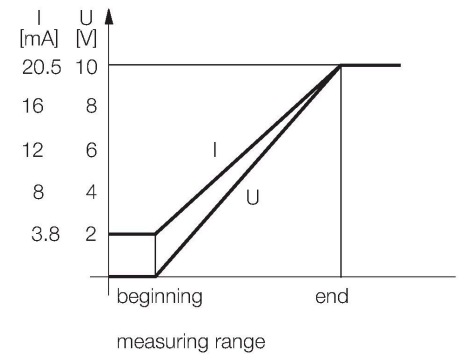
Ultrasonic sensors detect a multitude of objects contactless and wear-free with ultrasonic waves. Regardless of whether the object is transparent or opaque, metallic or non-metallic, liquid, solid or powdery. Even environmental conditions such as spray, dust or rain hardly affect their function.

Technical data

Type	T30UIPB-CRFV
ID	3074840
Ultrasonic data	
Function	Proximity switch
Range	300...1000 mm
Ultrasound frequency	128 kHz
Repeatability	≤ ± 0.75 mm
Temperature drift	≤ 0.2 % of full scale/K
Electrical data	
Operating voltage	15...24 VDC
Response time typical	< 96 ms
Output function	NO contact, PNP/Analog output
Current output	4...20 mA
Switching frequency	≤ 20 Hz
Hysteresis	≤ 2.5 mm
Mechanical data	
Design	Tube, T30U
Radiation direction	straight
Dimensions	Ø 40 x 45 mm
Housing material	Plastic, PBT
Transducer material	Plastic, Epoxyd resin and PU foam
Electrical connection	Cable, 2 m, PVC
Ambient temperature	-20...+70 °C
Relative humidity	100 %
Protection class	IP67

Technical data

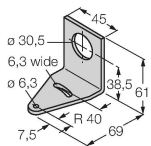
Power-on indication	LED
Switching state	LED, Yellow
Object detected	LED, Red
Tests/approvals	
MTTF	246 years acc. to SN 29500 (Ed. 99) 40 °C
Approvals	CE



Accessories

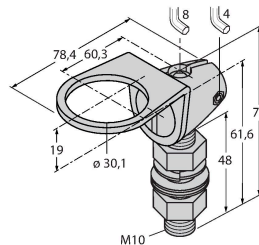
SMB30A 3032723

Mounting bracket, rectangular, stainless steel, for sensors with 30mm thread



SMB30FAM10 3011185

Mounting bracket, stainless steel, for M10 x 1.5 thread, thread length 30 mm



SMB30SC 3052521

Mounting bracket, PBT black, for sensors with 30 mm thread, rotatable

