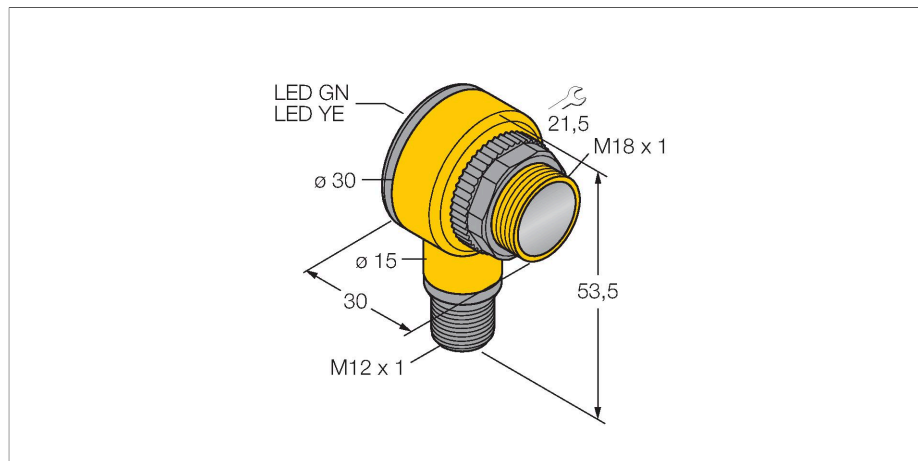


# T18RP6LPQ

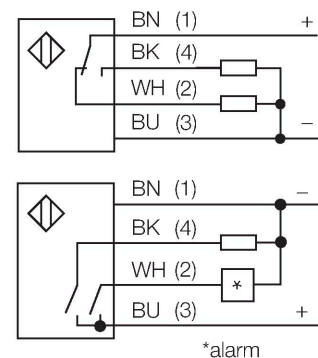
## Photoelectric Sensor – Retroreflective Sensor with Polarizing Filter



### Features

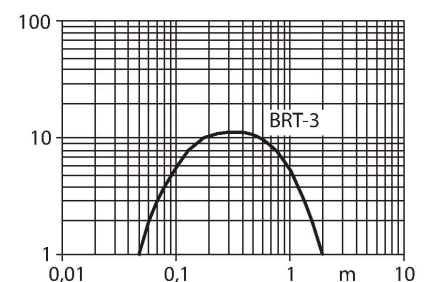
- M12 × 1 male connector, 4-pin
- Protection classes IP67/IP69K
- Ambient temperature: -40 °C...+70 °C
- Selectable light/dark operation or light operation with alarm function
- Operating voltage: 10...30 VDC
- PNP switching output, changeover

### Wiring diagram



### Functional principle

Retro-reflective sensors incorporate emitter and receiver in a single compact housing. The light beam of the emitter is directed towards a reflector which returns the light back to the receiver. An object is detected when it interrupts this beam. Retro-reflective sensors have a high function gain and good contrast performance. Further it is merely required to install and wire a single device. Excess gain curve  
Excess gain in relation to the distance



### Technical data

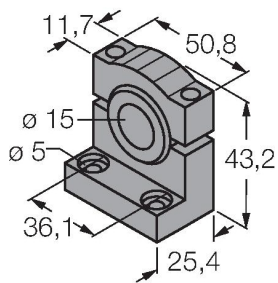
Type	T18RP6LPQ
ID no.	3044387
<b>Optical data</b>	
Function	Retroreflective sensor with polarizing filter
Reflector included in delivery	no
Light type	Red polarized
Wavelength	680 nm
Range	50...2000 mm
<b>Electrical data</b>	
Operating voltage	10...30 VDC
No-load current	≤ 30 mA
Short-circuit protection	yes / Cyclic
Reverse polarity protection	yes
Output function	Connection programmable, PNP
Switching frequency	≤ 160 Hz
Overcurrent release	> 220 mA
<b>Mechanical data</b>	
Design	Rectangular with thread, T18
Dimensions	30 x 30 x 54 mm
Housing material	Plastic, PBT
Lens	plastic, Acrylic
Electrical connection	Connectors, M12 × 1
Ambient temperature	-40...+70 °C
Protection class	IP67 IP69
Special features	Chemical-resistant

## Technical data

	Encapsulated
Power-on indication	LED, Green
Switching state	LED, Yellow
Error indication	LED, green, Flashing
Alarm display	LED yellow Flashing
<b>Tests/approvals</b>	
Approvals	CE, UL, CSA

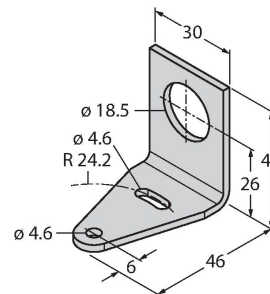
## Accessories

**SMB1815SF** 3053279



Mounting bracket, PBT black, for PICO-GUARD points

**SMB18A** 3033200

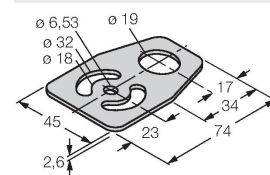


Mounting bracket, rectangular, stainless steel, for sensors with 18 mm thread

**SMB18FM** 3079421


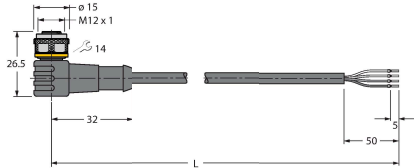
mounting bracket, black, M22 x1.5 mm, male thread, female thread M18 x 1, for sensors with 18 mm thread

**SMBAMS18P** 3073134

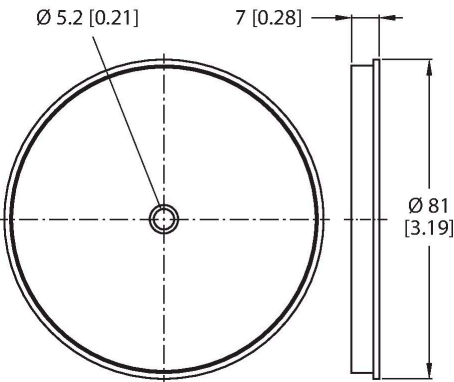


Mounting bracket, stainless steel, for sensors with 18 mm thread

## Accessories

Dimension drawing	Type	ID no.	
	RKC4.4T-2/TEL	6625013	Connection cable, female M12, straight, 4-pin, cable length: 2 m, sheath material: PVC, black; cULus approval; other cable lengths and qualities available, see <a href="http://www.turck.com">www.turck.com</a>
	WKC4.4T-2/TEL	6625025	Connection cable, female M12, angled, 4-pin, cable length: 2 m, sheath material: PVC, black; cULus approval; other cable lengths and qualities available, see <a href="http://www.turck.com">www.turck.com</a>

## Accessories

Dimension drawing	Type	ID no.	
	BRT-3	3016164	Round reflector, reflection coefficient 1.0, material acrylic, ambient temperature -20...+60 °C