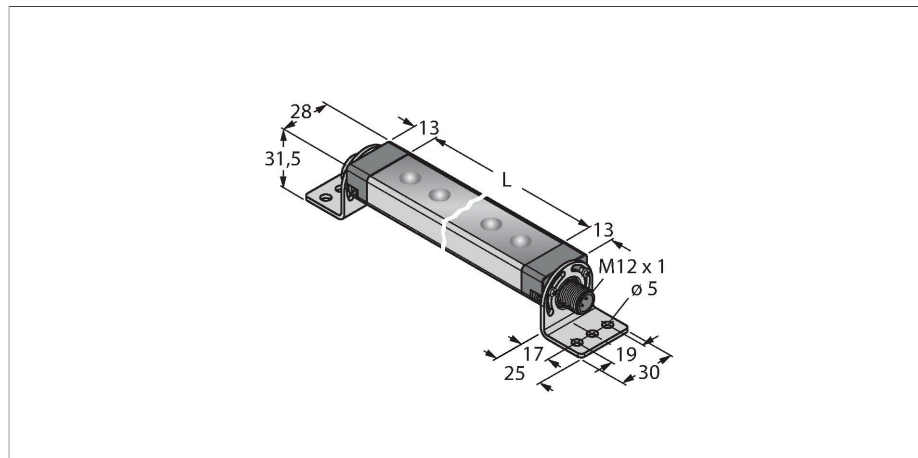


WLS28-2XGR-285SQ

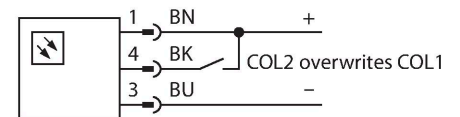
Work Light – Linear Light



Features

- Light beam: 285mm
- Operating voltage: 12...30 VDC
- Protection class: IP67 / IP69K
- Color 1: Green (100% light intensity)
- Color 2: Red (100% light intensity)
- Two-color linear light
- M12 x 1 male, straight, 4-pin
- SMBWLS28RA mounting bracket included in delivery

Wiring diagram

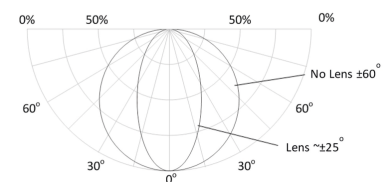


Technical data

| | |
|--------------------------------|--------------------------------------|
| Type | WLS28-2XGR-285SQ |
| ID | 3094491 |
| Signal and display data | |
| Purpose | LED work light |
| Function | Linear light |
| Light type | Green Red |
| Luminous flux lumen | 650 lm |
| Aperture angle degree | 60 ° |
| Beam angle | wide beam 40-80° |
| LED service life (L70) | 50000 h |
| Dimmable | Yes |
| Features of color 1 | Green, Permanently on, 100 %, 300 lm |
| Features of color 2 | Red, Permanently on, 100 %, 200 lm |
| Special features | Wash down |
| Electrical data | |
| Operating voltage | 12...30 VDC |
| DC rated operational current | ≤ 660 mA |
| Input power | 7.92 W |
| Mechanical data | |
| Cascadable | No |
| Design | Rectangular, WLS28-2 |
| Dimensions | 326 x 28 x 20.9 mm |
| Housing material | Metal, AL |
| Window material | Polycarbonate, clear |
| Electrical connection | Connector, M12 × 1, PVC |
| Number of cores | 4 |

Functional principle

The energy-efficient LED work lights are ideally suited for industrial applications. The color temperature is between 4,700 and 5,300 Kelvin (cool white). Depending on the model, the luminous flux is 475 or 1900 lumen. Some work lights are switched on/off via supply power (10...30 VDC) and some types by means of a button directly at the LED lamp. In addition, the LED can be switched to second color by activating a high signal on PIN 4, or for the variants with a switch by means of a further switch position. This additional color can be selected with either 100, 50 or 33% light intensity. Cascadable variants are also available. Variants with a clear or diffuse plastic windows, as well as with an aperture angle of 25°.



Technical data

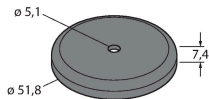
| | |
|------------------------|----------------------|
| Ambient temperature | -40...+70 °C |
| Storage temperature | -40...+70 °C |
| Relative humidity | 0...90 % |
| Protection class | IP65 IP67 IP69 |
| Tests/approvals | |
| Approvals | CE, UL |

| Light Length | Typical Current | | | Max. Current |
|--------------|-----------------|--------|--------|--------------|
| | 12 VDC | 24 VDC | 30 VDC | A |
| 145 mm | 0.33 A | 0.15 A | 0.12 A | 0.4 |
| 285 mm | 0.66 A | 0.30 A | 0.24 A | 0.8 |
| 430 mm | 1.01 A | 0.46 A | 0.36 A | 1.2 |
| 570 mm | 1.36 A | 0.61 A | 0.48 A | 1.6 |
| 710 mm | 1.75 A | 0.77 A | 0.60 A | 2.0 |
| 850 mm | 2.13 A | 0.92 A | 0.73 A | 2.4 |
| 990 mm | 2.59 A | 1.08 A | 0.85 A | 2.8 |
| 1130 mm | 3.04 A | 1.24 A | 0.97 A | 3.2 |

Accessories

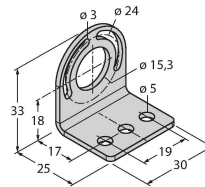
SMBWLSMAG 3019574

Magnetic fixture for mounting work lights and sensors, 2 pieces



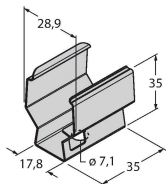
SMBWLS28RA 3015764

Mounting bracket, angled, metal, for WLS28 work lights, 5 mm drill holes, screw set included



SMBWLS28SP 3088063

Snap bracket for mounting WLS28 work lights



Accessories

| Dimension drawing | Type | ID | |
|-------------------|------|----|--|
|-------------------|------|----|--|

RKC4.4T-2/TEL

6625013

Connection cable, M12 female connector, straight, 4-pin, cable length: 2 m, jacket material: PVC, black; cULus approval



WKC4.4T-2/TEL

6625025

Connection cable, M12 female connector, angled, 4-pin, cable length: 2 m, jacket material: PVC, black; cULus approval

