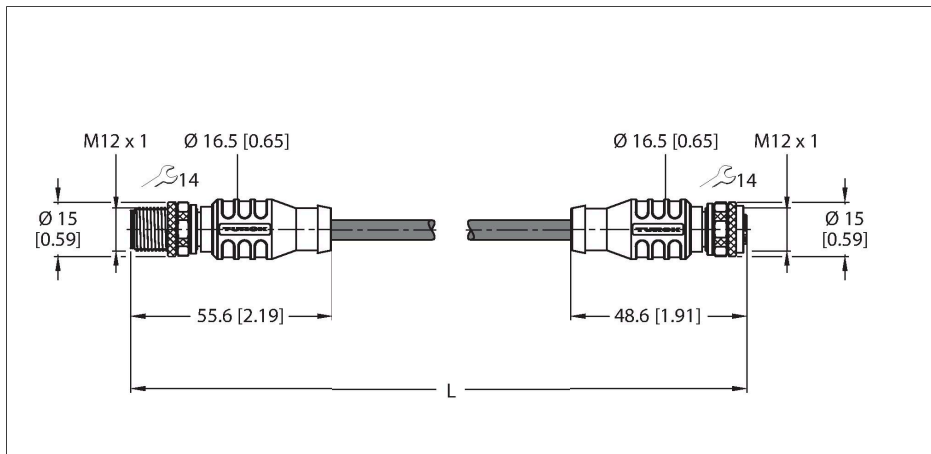


RSSW RKSU 455-6M PROFIBUS Cable – PVC Cable Jacket

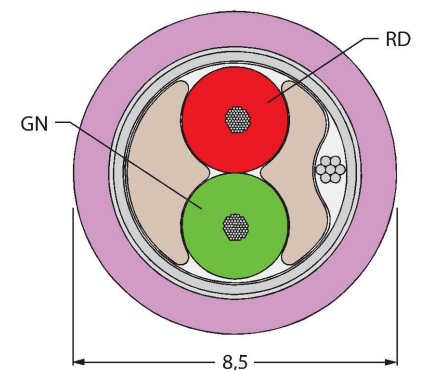


Features



- PROFIBUS cable: AWG 22/1
- Jacket material: PVC, color: purple
- Jacket diameter: 8.5 mm
- UL approval
- M12 female, straight, reverse-keyed
- Cable length: 6.0 m

Cable Cross-Section



Technical data

Type	RSSW RKSU 455-6M
ID	U0370
Connector A	Male, M12 × 1, Straight, B-coded
Number of Pins	5
Contacts	Metal, CuZn, Gold-plated
Contact carriers	Plastic, TPU, Black
Connector body	Plastic, TPU, Black
Coupling nut/screw	Brass, CuZn, Nickel-plated
Tightening torque (range)	0.8 ... 1 Nm (observe max. torque of mating connector!)
Mechanical lifespan	> 100 Mating cycles
Pollution degree	3
Protection class	IP67, Only in screwed condition
Connector B	Female, M12 × 1, Straight, B-coded
Number of pins	5
Contacts	Metal, CuZn, Gold-plated
Contact carriers	Plastic, TPU, Black
Connector body	Plastic, PUR, Black
Coupling nut/retaining screw	Brass, CuZn, Nickel-plated
Seal	Plastic, FPM/FKM
Tightening torque	0.8 ... 1 Nm (observe max. torque of mating connector!)
Mechanical life	> 100 Mating cycles
Pollution degree	3
Protection class	IP67, Only when screwed together
Cable	
Network protocol	PROFIBUS-DP, 455

Technical data

Cable diameter	Ø 8.5 mm ±0.15
Cable length	6 m
Cable jacket	PVC, Violet
Shielding	Aluminum foil, tinned copper wire
Core insulation	PE
Core cross-section	2 x 0.34 mm ²
Arrangement of strands	19 x 0.15 mm
Core colors	GN, RD
Electrical properties at +20 °C	
Current	4 A
DC resistance (loop)	50 Ω/km
Nom. impedance	150 Ω (1 MHz)
Nom. capacitance	29.53 pF/m
Mechanical and chemical properties	
Bending radius (stationary installation)	≥ 5 x Ø
Bending radius (flexible use)	≥ 15 x Ø
Ambient temperature range (stationary)	-40...+80 °C
Ambient temperature range (In motion)	-40...+80 °C
Other Features	
Qualified for drag chain use	no
Halogen-free	no
UV resistance	yes
Oil-resistant	no
Flame-retardant	yes
Approvals	UL CSA
Note	
	- We reserve the right to make technical modifications without prior notice.