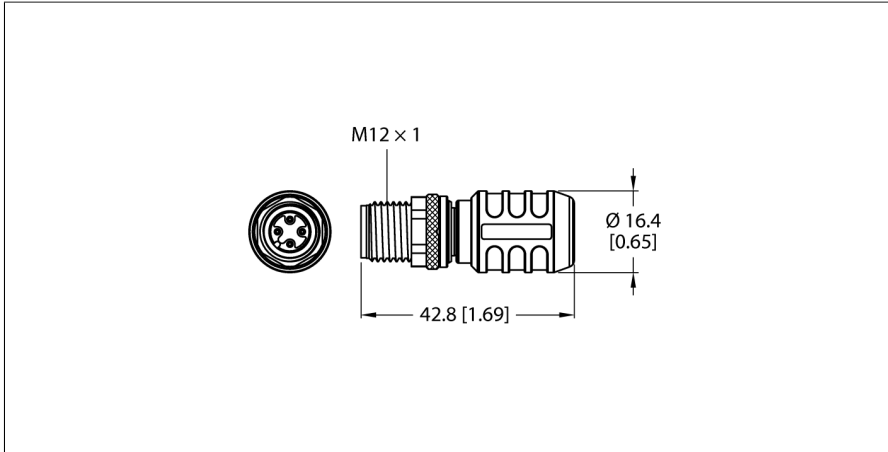


Safety Technology

Terminating resistor for RFID safety switches SI-RFA-P



Type	SI-RFA-P
ID	3806411
Tests/approvals	

- Terminating resistor for safety RFID switches
- Male, 4-pin
- Only for cascable RFID switches SI-RFDxxx or SI-RFSxxx