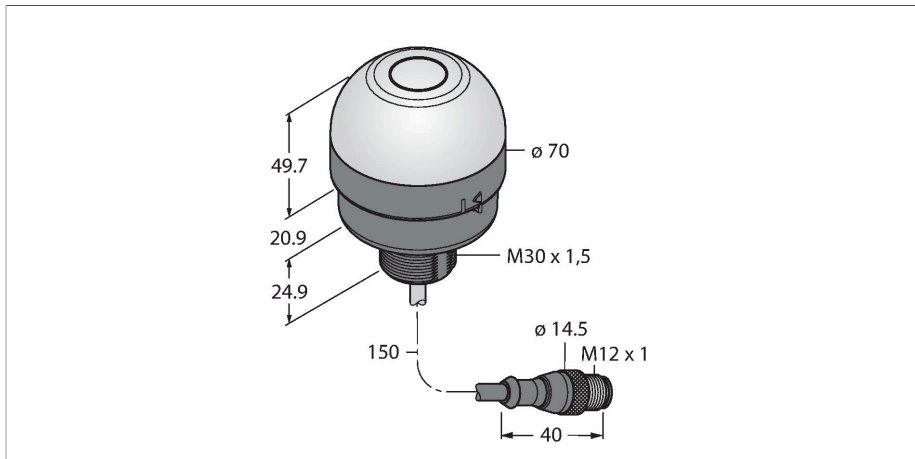


K70DXN2T2GRYQP

Pick-to-Light – Placement Sensor

Capacitive Sensor with Integrated Radio Module



Features

- Protection class IP67
- Cable with M12 x 1 male connector, 4-pin, 150 mm
- Operating voltage: 12...30 VDC
- Base with integrated radio module
- DX80-compatible node
- Configuration via DIP switch
- Capacitive sensor of the second generation
- High immunity to false actuation by splashing, detergents, oils and other contaminants

Functional principle

The K70 pick-and-place sensor is suitable for many mounting and component placement applications. The green work light or other signal lights are reflected perfectly by the entire dome (depending on the version). The transistor output can be easily connected to a system control, which is programmed for a special task sequence. The work light of the sensor is located in or next to every bin at the operator's workstation and indicates: 1. The bins with the components to be picked up for a particular work step and 2. the sequence in which the components have to be picked up. If the operator removes a part from the bin, the K50 detects the hand in the bin and sends a signal to the control unit. The system then checks if the correct component has been picked up and – depending on the configuration – switches the corresponding work light off and the next one on, according to the assembly sequence. The work sequence control leads to increased efficiency, improved quality control and reduces rework and testing expenses. The term work light therefore refers to the visual indicator of the bin from which a part should be removed next. The actuation indicator confirms the removal with a different color. The mispick indicator illuminates if a bin was reached into when the work light was not set.

Technical data

Type	K70DXN2T2GRYQP
ID	3096947
Purpose	Pick-to-Light
Function	Limit switch
Switch Function	Momentary
Features of color 1	Green, Permanently on, 45 lm
Features of color 2	Red
Features of color 3	Yellow, 13 lm
Electrical data	
Operating voltage	12...30 VDC
DC rated operational current	≤ 150 mA
Max. current consumption per color	260 mA
Input power	5.7 W
Output function	NO contact
Input type	Communication protocol
Response time typical	< 180 ms
Mechanical data	
Design	Dome, K70
Dimensions	Ø 70 x 95.5 mm
Housing material	Plastic, PC, Black
Window material	Plastic, diffuse
Electrical connection	Cable with connector, M12 x 1, 0.15 m, PVC
Number of cores	5
Ambient temperature	-40...+50 °C
Relative humidity	0...95 %

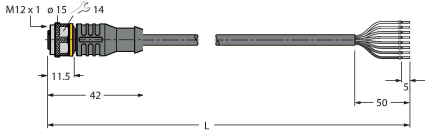
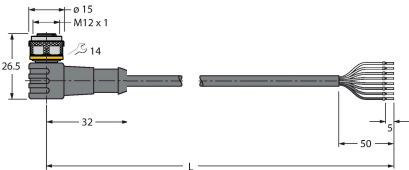
Technical data

Protection class IP65

Tests/approvals

Approvals CE, cULus listed

Accessories

Dimension drawing	Type	ID	
	RKC8T-2/TEL	6625130	Connection cable, M12 female connector, straight, 8-pin, cable length: 2 m, jacket material: PVC, black; cULus approval
	WKC8T-2/TEL	6625133	Connection cable, M12 female connector, angled, 8-pin, cable length: 2 m, jacket material: PVC, black; cULus approval