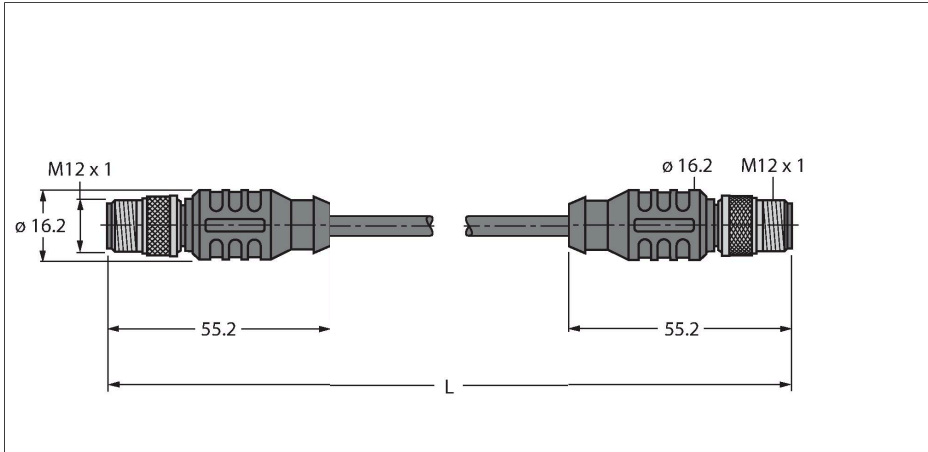


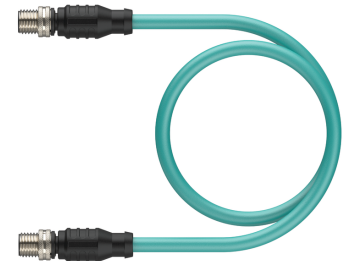
# RSS RSS 841-4M

## Industrial Ethernet Cable – Extension Cable



### Technical data

Type	RSS RSS 841-4M
ID	U7901-4
Connector A	Male, M12 × 1, Straight, A-coded
Number of Pins	8
Contacts	Metal, CuZn, Gold-plated
Contact carriers	Plastic, TPU, Black
Connector body	Plastic, TPU, Black
Coupling nut/screw	Brass, CuZn, Nickel-plated
Tightening torque (range)	0.8 ... 1 Nm (observe max. torque of mating connector!)
Mechanical lifespan	> 100 Mating cycles
Pollution degree	3
Protection class	IP67, Only in screwed condition
Connector B	Male, M12 × 1, Straight, A-coded
Number of pins	8
Contacts	Metal, CuZn, Gold-plated
Contact carriers	Plastic, TPU, Black
Connector body	Plastic, TPU, Blue gray
Coupling nut/retaining screw	Brass, CuZn, Nickel-plated
Tightening torque	0.8 ... 1 Nm (observe max. torque of mating connector!)
Mechanical life	> 100 Mating cycles
Pollution degree	3
Protection class	IP67, Only when screwed together
Cable	
Network protocol	Ethernet, 841
Cable diameter	Ø 7.7 mm

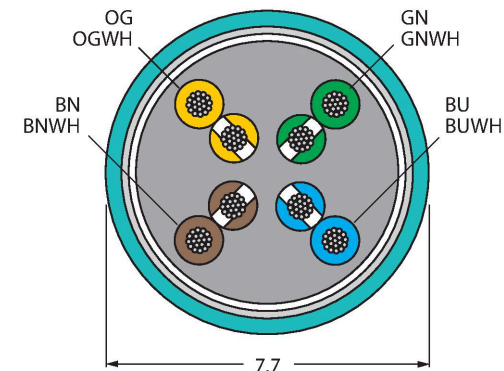


### Features



- Ethernet cable: 8-pin, AWG 24, shielded
- Jacket material: TPE, color: green
- Jacket diameter: 7.7 mm
- Suitable for drag chain use
- UL approval
- M12 male, straight, 8-pin
- M12 male, straight, 8-pin
- Cable length: 4.0 m

### Cable Cross-Section



### Contact assignment



## Technical data

Cable length	4 m
Cable jacket	TPE, Green
Shielding	yes
Core insulation	PE
Core cross-section	8 x 0.21 mm <sup>2</sup>
Core colors	WH/BU, WH/BN, BN, OG, WH/GN, WH/OG, BU, GN
<b>Electrical properties at +20 °C</b>	
Rated voltage	48 V
Current	2 A
DC resistance (loop)	94 Ω/km
Nom. impedance	100 Ω (1 MHz)
Nom. capacitance	46 pF/m
<b>Mechanical and chemical properties</b>	
Bending radius (flexible use)	≥ 10 x Ø
Bending cycles	≥ 1 million
Ambient temperature range (stationary)	-40...+80 °C
Ambient temperature range (In motion)	-40...+80 °C
<b>Other Features</b>	
Qualified for drag chain use	yes
UV resistance	yes
Oil-resistant	yes
Approvals	UL
<b>Note</b>	
- We reserve the right to make technical modifications without prior notice.	