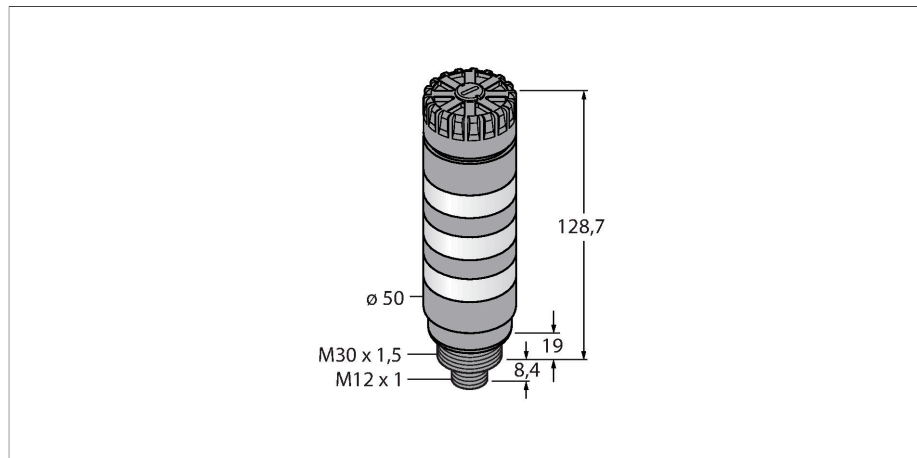


TL50BLGY2R1AQ

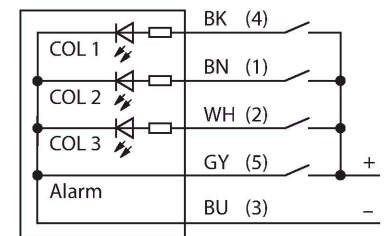
LED Indicator – Tower Light



Features

- Plastic housing, black
- Protection class IP50
- EMI and RFI immune
- Colors: Green (COL 1) / Yellow flashing (COL 2) / Red rotating (COL 3)
- Operating voltage: 12...30 VDC or 24 VAC with 45 mA per LED color
- Inputs: PNP/NPN
- Beeper max. 92 dB

Wiring diagram



Functional principle

The rugged multifunction TL50 beacon is available in many variations and is easily mounted. Each signal tower can be assembled from a maximum of four varicolored LEDs, with or without a beeper. You can also choose from three different lighting functions (steady, rotating, flashing). The lighting function is indicated in the type code after the color (no number: steady; 1: rotating; 2: flashing). Clearly visible status displays for indoor and outdoor applications. The wiring diagram shows a PNP pin assignment.

5 colors are available, blue (B), green (G), red (R), yellow (Y) and white (W), which specify the light sequence from bottom to top in the type designation of the tower light. Example: TL50GYRQ, designates the colors green, yellow and red from bottom to top.

Technical data

| | |
|------------------------------------|--|
| Type | TL50BLGY2R1AQ |
| ID | 3030724 |
| Signal and display data | |
| Purpose | LED indicator light |
| Function | Tower light |
| Light type | Green Yellow, flashing Red, rotating |
| Dimmable | No |
| Features of color 1 | Green, Permanently on, 52 lm |
| Features of color 2 | Yellow, Flashing, 15 lm |
| Features of color 3 | Red, Rotating, 24 lm |
| Acoustic signal | Continuous tone, 92 dB |
| Electrical data | |
| Operating voltage | 12...30 VDC |
| DC rated operational current | ≤ 125 mA |
| Operating voltage | 21...27 VAC |
| AC rated operational current | ≤ 100 mA |
| Max. current consumption per color | 125 mA |
| Max. current consumption of beeper | 25 mA |
| Input type | Bipolar (PNP/NPN) |
| Response time typical | < 1 ms |
| Mechanical data | |
| Cascadable | No |
| Design | Smooth barrel, TL50BL |
| Dimensions | Ø 50 x 156.1 mm |
| Housing material | Plastic, ABS, Black |

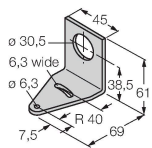
Technical data

| | |
|------------------------|-------------------------|
| Window material | Polycarbonate, clear |
| Electrical connection | Connector, M12 × 1, PVC |
| Number of cores | 5 |
| Ambient temperature | -20...+50 °C |
| Relative humidity | 0...95 % |
| Protection class | IP50 |
| Tests/approvals | |
| Approvals | CE, UL listed |

Accessories

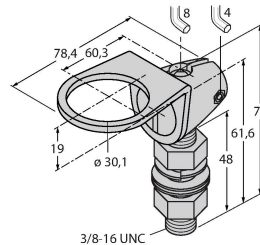
SMB30A 3032723

Mounting bracket, rectangular, stainless steel, for sensors with 30mm thread



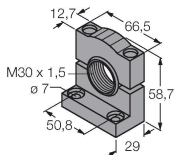
SMB30FA 3074005

Montagewinkel; Werkstoff VA 1.4401



SMB30SC 3052521

Mounting bracket, PBT black, for sensors with 30 mm thread, rotatable



Accessories

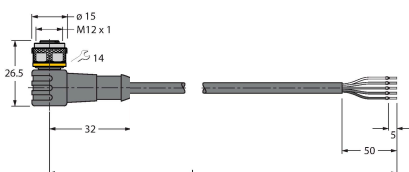
| Dimension drawing | Type | ID | |
|-------------------|------|----|--|
|-------------------|------|----|--|



RKC4.5T-2/TEL

6625016

Connection cable, M12 female connector, straight, 5-pin, cable length: 2 m, jacket material: PVC, black; cULus approval



WKC4.5T-2/TEL

6625028

Connection cable, M12 female connector, angled, 5-pin, cable length: 2 m, jacket material: PVC, black; cULus approval