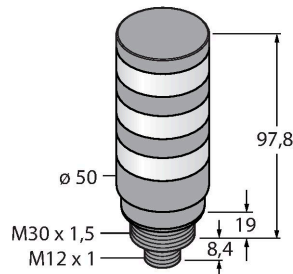


TL50BLG2Y2R2CQ

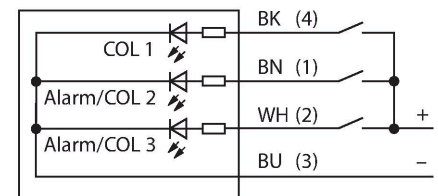
LED Indicator – Tower Light



Features

- Plastic housing, gray
- Protection class IP67
- Protection against electromagnetic and high-frequency interference
- Colors: Green flashing (COL 1) / Yellow flashing (COL 2) / Red flashing (COL 3)
- Operating voltage: 12...30 VDC or 24 VAC with 45 mA per LED color
- Inputs: PNP/NPN

Wiring diagram



Functional principle

The rugged multifunction TL50 beacon is available in many variations and is easily mounted. Each signal tower can be assembled from a maximum of four varicolored LEDs, with or without a beeper. You can also choose from three different lighting functions (steady, rotating, flashing). The lighting function is indicated in the type code after the color (no number: steady; 1: rotating; 2: flashing). Clearly visible status displays for indoor and outdoor applications. The wiring diagram shows a PNP pin assignment.

5 colors are available, blue (B), green (G), red (R), yellow (Y) and white (W), which specify the light sequence from bottom to top in the type designation of the tower light. Example: TL50GYRQ, designates the colors green, yellow and red from bottom to top.

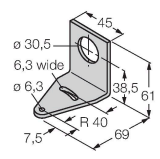
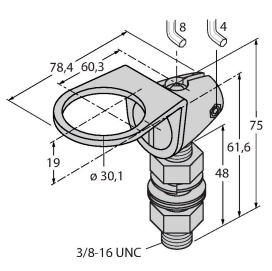
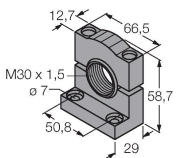
Technical data

Type	TL50BLG2Y2R2CQ
ID	3025612
Signal and display data	
Purpose	LED indicator light
Function	Tower light
Light type	Green, flashing Yellow, flashing Red, flashing
Dimmable	No
Features of color 1	Green, Flashing, 52 lm
Features of color 2	Yellow, Flashing, 15 lm
Features of color 3	Red, Flashing, 24 lm
Electrical data	
Operating voltage	12...30 VDC
DC rated operational current	≤ 125 mA
Operating voltage	21...27 VAC
AC rated operational current	≤ 100 mA
Max. current consumption per color	125 mA
Input type	Bipolar (PNP/NPN)
Response time typical	< 1 ms
Mechanical data	
Cascadable	No
Design	Smooth barrel, TL50BL
Dimensions	Ø 50 x 125.2 mm
Housing material	Plastic, ABS
Window material	Polycarbonate, clear
Electrical connection	Connector, M12 × 1, PVC

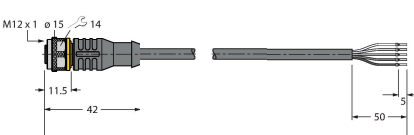
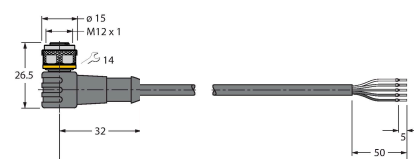
Technical data

Number of cores	4
Ambient temperature	-40...+50 °C
Relative humidity	0...95 %
Protection class	IP67
Tests/approvals	
Approvals	CE, UL listed

Accessories

SMB30A	3032723	SMB30FA	3074005
<p>Mounting bracket, rectangular, stainless steel, for sensors with 30mm thread</p> 		<p>Montagewinkel; Werkstoff VA 1.4401</p> 	
SMB30SC	3052521		
<p>Mounting bracket, PBT black, for sensors with 30 mm thread, rotatable</p> 			

Accessories

Dimension drawing	Type	ID	
	RKC4.5T-2/TEL	6625016	Connection cable, M12 female connector, straight, 5-pin, cable length: 2 m, jacket material: PVC, black; cULus approval
	WKC4.5T-2/TEL	6625028	Connection cable, M12 female connector, angled, 5-pin, cable length: 2 m, jacket material: PVC, black; cULus approval