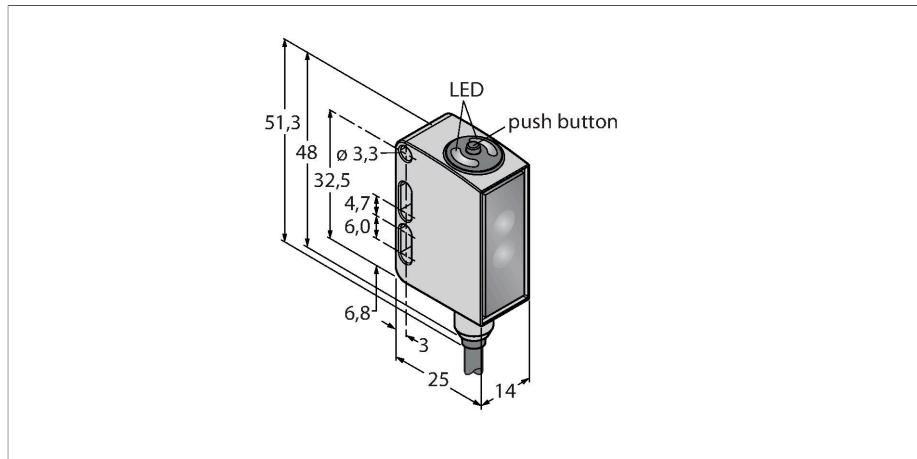


QM26VPAF200-5M

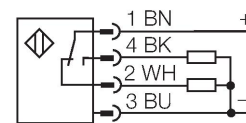
Photoelectric Sensor – Diffuse Mode Sensor with Adjustable Background Suppression



Features

- Range: 5 mm - 800 mm
- Range: 5 mm - 800 mm
- Range: 5 mm - 800 mm

Wiring diagram



Technical data

Type	QM26VPAF200-5M
ID no.	3028735
Optical data	
Function	Proximity switch
Operating mode	Background suppression, adjustable
Light type	Red
Wavelength	660 nm
Range	5...200 mm
Electrical data	
Operating voltage	10...30 VDC
Residual ripple	< 10 % U _{ss}
No-load current	≤ 20 mA
Short-circuit protection	yes
Reverse polarity protection	yes
Output function	Complementary contact, PNP
Current output	100 mA
Switching frequency	2 kHz
Readiness delay	≤ 300 ms
Response time typical	< 0.5 ms
Setting option	Screw Adjustment
Mechanical data	
Design	Rectangular, QM26
Dimensions	15.3 x 14 x 32.6 mm
Housing material	Metal, Stainless steel, Grey
Lens	acrylic, PMMA
Electrical connection	Cable, 5 m, PVC

Technical data

Number of cores	4
Ambient temperature	-30...+70 °C
Protection class	IP69
Special features	Chemical-resistant Wash down Resistant to chemicals
Power-on indication	LED, Green
Switching state	LED, Yellow
Excess gain indication	LED
Tests/approvals	
Approvals	CE, cULus listed, ECOLAB

Accessories

SMBLSTDLQ26	3018180	SMBLSTQ26	3019506
	Mounting bracket, stainless steel, rectangular, for Q26		Mounting bracket, stainless steel, for Q26