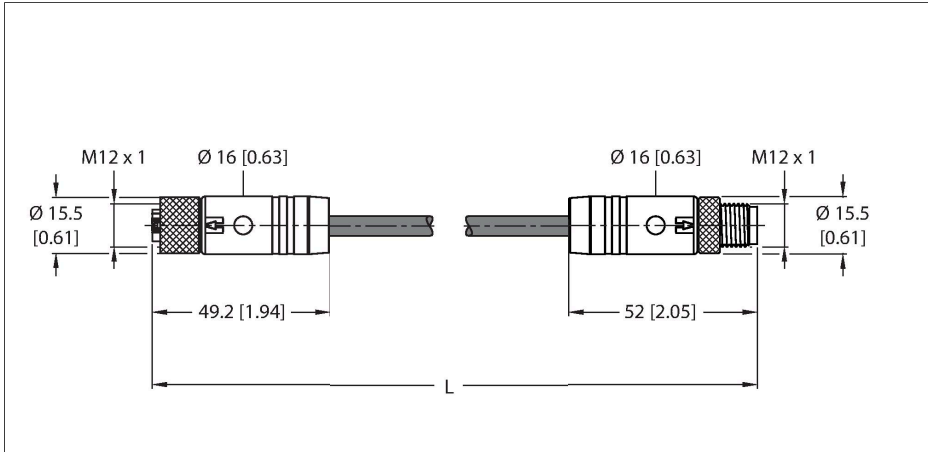


# RKS46PSB-13-RSS46PSB/TXL

## Supply Cable — M12 Power – Extension Cable



### Technical data

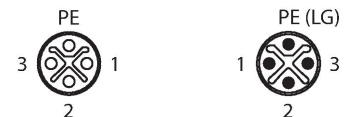
|                              |  |
|------------------------------|--|
| Type                         | RKS46PSB-13-RSS46PSB/TXL                                     |
| ID                           | 100037966  |
| Connector A                  | Female, M12 × 1, Straight, S-coded                           |
| Number of Pins               | 3+PE   |
| Contacts                     | Copper-nickel, CuNi, Gold-plated                             |
| Contact carriers             | Plastic, PBT GF, Black                                       |
| Connector body               | Plastic, TPE, Black  |
| Coupling nut/screw           | Brass, CuZn, Nickel-plated                                   |
| Seal                         | Plastic, FPM/FKM   |
| Tightening torque (range)    | 0.5 ... 0.6 Nm<br>(observe max. torque of mating connector!) |
| Mechanical lifespan          | > 100 Mating cycles  |
| Pollution degree             | 3  |
| Protection class             | IP65, IP67, IP69K, Only in screwed condition                 |
| Connector B                  | Male, M12 × 1, Straight, S-coded                             |
| Number of pins               | 3+PE   |
| Contacts                     | Copper-nickel, CuNi, Gold-plated                             |
| Contact carriers             | Plastic, PBT GF, Black                                       |
| Connector body               | Plastic, TPE, Black  |
| Coupling nut/retaining screw | Brass, CuZn, Nickel-plated                                   |
| Tightening torque            | 0.5 ... 0.6 Nm<br>(observe max. torque of mating connector!) |
| Mechanical life              | > 100 Mating cycles  |
| Pollution degree             | 3  |
| Protection class             | IP65, IP67, IP69K, Only when screwed together                |

### Features



- M12 female connector, S-coded, straight, 4-pin (3+PE)
- Shield on coupling nut
- M12 male connector, S-coded, straight, 4-pin (3+PE)
- Jacket material: PUR
- Jacket color: black
- Highly resistant to oils, coolants, lubricants and emulsions
- Suitable for use in drag chains
- Resistant to vibrations and shocks
- Flame retardant
- Halogen-free
- RoHS compliant
- UL approval
- Protection class: IP65, IP67, IP69K
- Cable length: 13 m

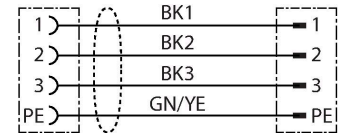
### Contact assignment



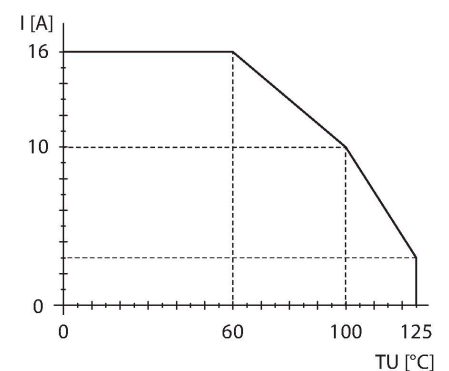
## Technical data

| Cable   |                              |
|---|------------------------------|
| Cable diameter                                  | Ø 9.4 mm ±0.20               |
| Cable length                                    | 13 m                         |
| Cable jacket                                    | PUR, Black                   |
| Core insulation                                 | PP                           |
| Core cross-section                              | 4 x 1.5 mm <sup>2</sup>      |
| Core colors                                     | BK1, BK2, BK3, GNYE          |
| Electrical properties at +20 °C                 |                              |
| Rated voltage                                   | 600 V                        |
| Current   | 16 A                         |
| Mechanical and chemical properties              |                              |
| Bending radius (stationary installation)        | ≥ 4 x Ø                      |
| Bending radius (flexible use)                   | ≥ 7 x Ø                      |
| Bending cycles                                  | ≥ 10 million                 |
| Admissible acceleration                         | max. 5 m/s <sup>2</sup>      |
| Admissible travel path, horizontal              | 5 m (at 5 m/s <sup>2</sup> ) |
| Ambient temperature range (stationary)          | -40...+80 °C                 |
| Ambient temperature range (In motion)           | -30...+80 °C                 |
| Ambient temperature during drag chain operation | -20...+60 °C                 |
| Qualified for drag chain use                    | yes                          |
| Halogen-free                                    | yes                          |
| Oil-resistant                                   | yes                          |
| Flame-retardant                                 | yes                          |
| Approvals                                       | cULus                        |

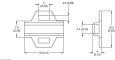
## Circuit Diagram



## Derating Curve



## Accessories

| Dimension drawing   | Type                  | ID        |  |
|---|-----------------------|-----------|--|
|  | LABEL-HOLDER-FLEX-PVC | 100048170 | PVC label holder for identification of extension cables (TEL/TXL product series); for cable diameters: min. 5 mm; dimensions 4 x 18 mm; delivery unit: 50 pcs. per package |