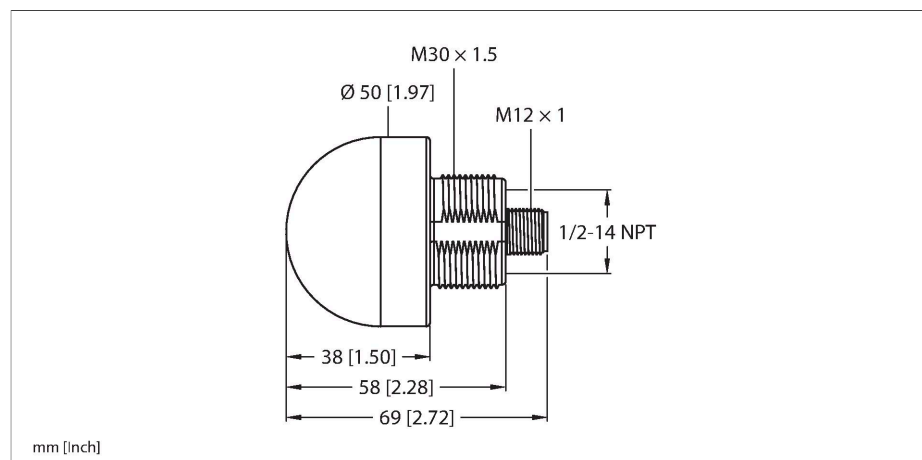


K50LWRO6PQ

LED Indicator – Beacon



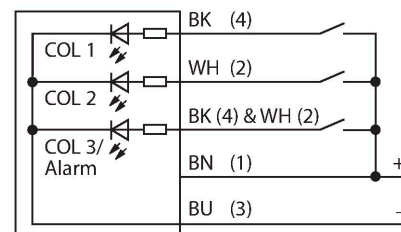
Technical data

Type	K50LWRO6PQ
ID	3018323
Signal and display data	
Purpose	LED indicator light
Function	Spotlight
Light type	White Red Orange
LED service life (L70)	50000 h
Dimmable	No
Features of color 1	White, Permanently on, 45 lm
Features of color 2	Red, 17 lm
Features of color 3	Orange, 11 lm
Special features	I/O module-compatible Wash down
Electrical data	
Operating voltage	18...30 VDC
DC rated operational current	≤ 40 mA
Max. current consumption per color	50 mA
Output function	NO contact, Potential-free
Input type	PNP
Response time typical	< 250 ms
Mechanical data	
Cascadable	No
Design	Dome, K50L
Dimensions	Ø 50 x 69 mm
Housing material	Plastic, PC, Black
Window material	Polycarbonate, diffuse

Features

- All-round LED display
- Individually controllable
- Mechanical screw-in thread M30 x 1.5
- Protection classes IP67/IP69K
- Colors: White (COL 1) / Red (COL 2) / Orange (COL 3)
- Male M12x1
- Operating voltage 18...30 VDC

Wiring diagram

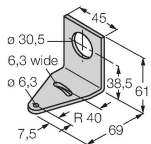


Technical data

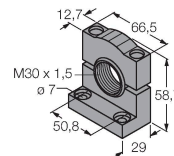
Electrical connection	Connector, M12 × 1, PVC
Number of cores	5
Ambient temperature	-20...+50 °C
Relative humidity	0...95 %
Protection class	IP67 IP69
Tests/approvals	
MTTF	249 years acc. to SN 29500 (Ed. 99) 40 °C
Approvals	CE, UL listed

Accessories

SMB30A 3032723
Mounting bracket, rectangular, stainless steel, for sensors with 30mm thread



SMB30SC 3052521
Mounting bracket, PBT black, for sensors with 30 mm thread, rotatable



Accessories

Dimension drawing	Type	ID	
	RKC4.4T-2/TEL	6625013	Connection cable, M12 female connector, straight, 4-pin, cable length: 2 m, jacket material: PVC, black; cULus approval
	WKC4.4T-2/TEL	6625025	Connection cable, M12 female connector, angled, 4-pin, cable length: 2 m, jacket material: PVC, black; cULus approval