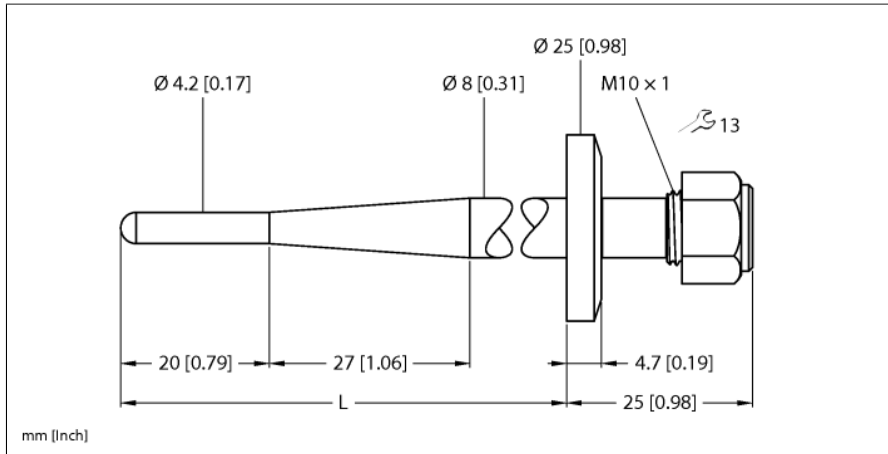


Accessories

Thermowell

For Temperature Sensors

THW-3-TRI3/4-A4-L100



Type	THW-3-TRI3/4-A4-L100
ID	9910452

Temperature range	
Measuring range	-50...350 °C
Measuring range	-58...662 °F
Immersion depth (L)	100 mm
Outer diameter	4 mm

Mechanical data	
Housing material	Stainless steel, 1.4404 (AISI 316L)
Internal diameter	3.1 mm
Process connection	Tri-Clamp 3/4"
Pressure resistance	40 bar
Max. tightening torque of housing nut	100 Nm

- Thermowell for mounting temperature probes
- End tip diameter 3 mm
- Process connection Tri-Clamp 3/4"
- Immersion depth 100 mm
- For use in food and pharmaceutical applications
- Surface roughness Ra > 0.8 µm

General description

Thermowells are used for unpressurized mounting of probes. They protect the probes against direct contact with the medium. The probe can be replaced without interrupting the process.