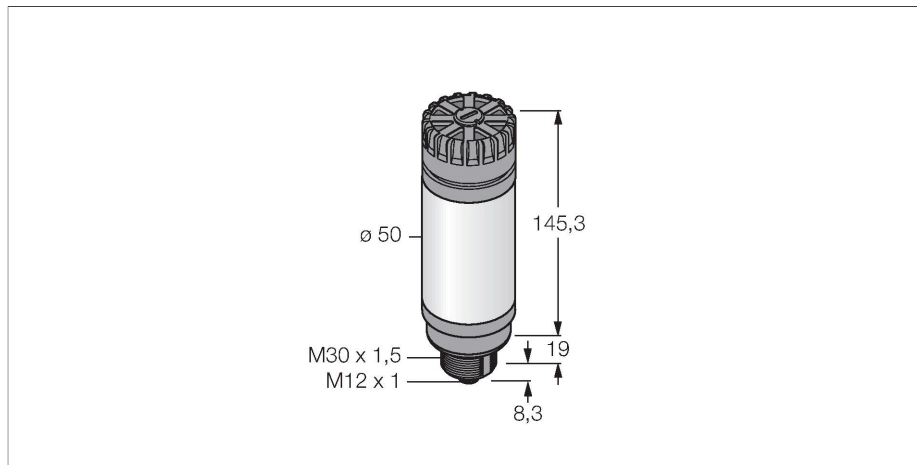


CL50GXXAPQ

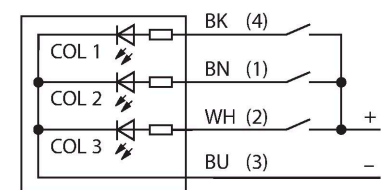
LED Indicator – Tower Light



Features

- LED tower light with beeper
- Individually controllable
- Mechanical screw-in thread M30 x 1.5
- Monochrome: Green (COL 1)
- Beeper max. 92 dB

Wiring diagram



Functional principle

Multicolor multifunction acoustic signaller
Rugged and well-priced LED tower, easy to install

Illuminated segments for clear operator guidance and display of system status.
Display of up to 3 colors.

Compact devices, no controller required
No mounting

The wiring diagram shows the PNP input configuration. An instruction leaflet with detailed information about the connection is included with the devices.

Technical data

Type	CL50GXXAPQ
ID	3010468
Signal and display data	
Purpose	LED indicator light
Function	Tower light
Light type	Green
Dimmable	No
Features of color 1	Green, Permanently on, 72 lm
Acoustic signal	Continuous tone, 92 dB
Electrical data	
Operating voltage	18...30 VDC
Max. current consumption per color	100 mA
Max. current consumption of beeper	25 mA
Input type	PNP
Response time typical	< 10 ms
Mechanical data	
Cascadable	No
Design	Smooth barrel, CL50
Dimensions	Ø 50 x 145.3 mm
Housing material	Plastic, ABS/Polycarbonate, Black
Window material	Polycarbonate, diffuse
Electrical connection	Connector, M12 x 1, PVC
Number of cores	5
Ambient temperature	-20...+50 °C
Relative humidity	0...95 %
Protection class	IP50

Technical data

Tests/approvals

Approvals CE, UL listed

Accessories

Dimension drawing	Type	ID	
	RKC4.5T-2/TEL	6625016	Connection cable, M12 female connector, straight, 5-pin, cable length: 2 m, jacket material: PVC, black; cULus approval
	WKC4.5T-2/TEL	6625028	Connection cable, M12 female connector, angled, 5-pin, cable length: 2 m, jacket material: PVC, black; cULus approval