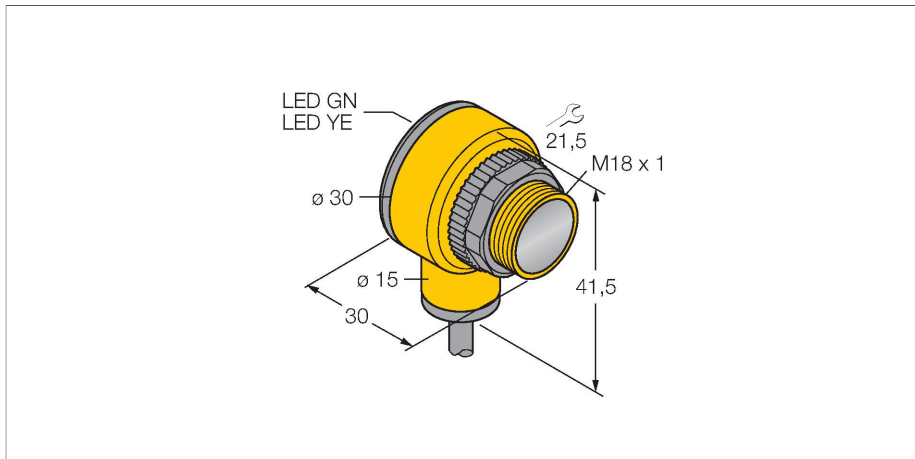


# T18RW3LP

## Photoelectric Sensor – Retroreflective Sensor with Polarizing Filter



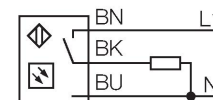
### Technical data

Type	T18RW3LP
ID no.	3033406
<b>Optical data</b>	
Function	Retroreflective Sensor
Operating mode	Polarized
Reflector included in delivery	no
Light type	Red polarized
Wavelength	680 nm
Range	50...2000 mm
<b>Electrical data</b>	
Operating voltage	20...250 VAC
AC rated operational current	≤ 200 mA
Output function	Dark operation, Relay output
Switching frequency	≤ 40 Hz
Readiness delay	≤ 100 ms
Response time typical	< 16 ms
<b>Mechanical data</b>	
Design	Rectangular with thread, T18
Dimensions	Ø 18 x 30 x 30 x 41.5 mm
Housing material	Plastic, Thermoplastic material
Lens	plastic, Acrylic
Electrical connection	Cable, 2 m, PVC
Number of cores	3
Core cross-section	0.5 mm <sup>2</sup>
Ambient temperature	-40...+70 °C
Protection class	IP67

### Features

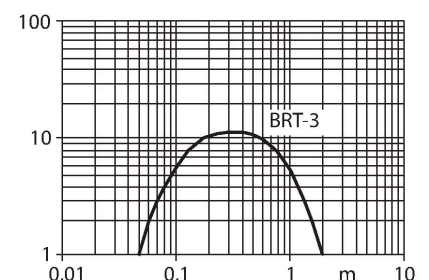
- Cable, 2 m
- Protection class IP67
- Ambient temperature: -40...+70 °C
- Selectable light/dark operation or light operation with alarm function

### Wiring diagram



### Functional principle

Retro-reflective sensors incorporate emitter and receiver in a single compact housing. The light beam of the emitter is directed towards a reflector which returns the light back to the receiver. An object is detected when it interrupts this beam. Retro-reflective sensors have a high function gain and good contrast performance. Further it is merely required to install and wire a single device. Excess gain curve  
Excess gain in relation to the distance



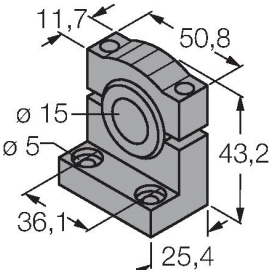
## Technical data

	IP69
Special features	Chemical-resistant Encapsulated Wash down
Power-on indication	LED, Green
Switching state	LED, Yellow
Excess gain indication	LED
<b>Tests/approvals</b>	
Approvals	CE, UL, CSA

## Accessories

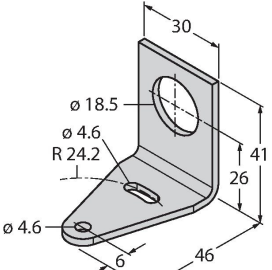
**SMB1815SF** 3053279

Mounting bracket, PBT black, for PICO-GUARD points




**SMB18A** 3033200

Mounting bracket, rectangular, stainless steel, for sensors with 18 mm thread



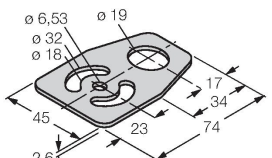
**SMB18FM** 3079421

mounting bracket, black, M22 x1.5 mm, male thread, female thread M18 x 1, for sensors with 18 mm thread

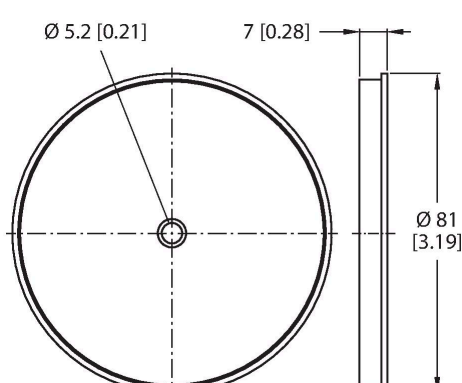


**SMBAMS18P** 3073134

Mounting bracket, stainless steel, for sensors with 18 mm thread



## Accessories

Dimension drawing	Type	ID no.	
	BRT-3	3016164	Round reflector, reflection coefficient 1.0, material acrylic, ambient temperature -20...+60 °C