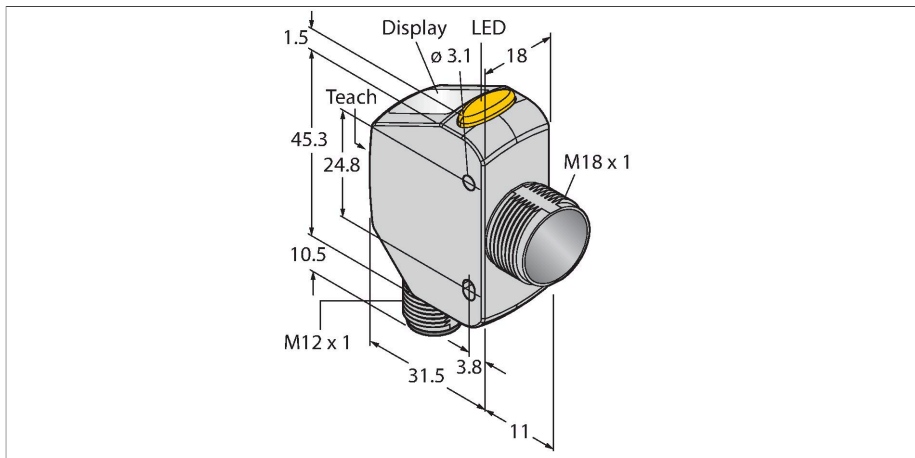


# Q4XTULAF100-Q8

## Photoelectric Sensor – Laser Distance Sensor (Triangulation)



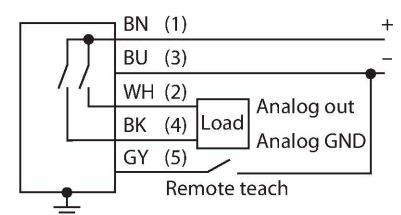
### Technical data

Type	Q4XTULAF100-Q8
ID no.	3094884
<b>Optical data</b>	
Function	Proximity switch
Operating mode	Background/foreground suppression
Light type	Red
Wavelength	655 nm
Laser class	▲ 1
Optical resolution	0.15 mm
Repeatability	0.075 mm
Range	25...100 mm
Ambient light immunity	5000 lux
<b>Electrical data</b>	
Operating voltage	10...30 VDC
DC rated operational current	≤ 28 mA
Short-circuit protection	yes
Reverse polarity protection	yes
Output function	Analog output
Type of analog output	0...10 V
Voltage output	0...10 V
Load resistance	≥ 2500 Ω
Readiness delay	≤ 750 ms
Response time typical	< 0.5 ms
<b>Mechanical data</b>	
Design	Rectangular with thread, Q4X
Dimensions	43.5 x 18 x 57.5 mm
Housing material	Metal, Stainless steel

### Features

- 4-digit 7-segment LED display
- 3 buttons
- Output indicator (yellow)
- IP67/69K
- ECOLAB-certified
- Range: 25...100 mm
- Laser class 1, red, 655 nm, acc. to IEC 60825-1:2007
- Operating voltage: 12...30 VDC
- Analog output: 0...10 VDC
- Rectangular model with offset M18 thread
- Stainless steel case (1.4404)

### Wiring diagram



### Functional principle

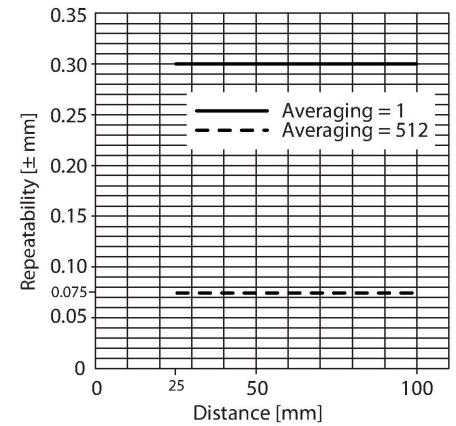
The Q4X is a laser-distance sensor working on the principle of laser triangulation. It has a range of 25...100 mm, a resolution of up to 0.15 mm and an analog laser class 1 power output (0...10 VDC). With the dual mode functionality, the Q4X captures not only distances but also the light intensity that is reflected by an object. This unique feature allows lasers to be used for applications that would have been inconceivable before this. In RUN mode, you can change the switchpoint, adjust light and dark-switching and teach the sensor accordingly. In SETUP mode, you can select teach, all standard

## Technical data

Lens	acrylic, PMMA
Electrical connection	Connectors, M12 × 1, PVC
Number of cores	5
Ambient temperature	-10...+50 °C
Storage temperature	-25...+75 °C
Relative humidity	35...95 %
Protection class	IP67 IP68 IP69
Special features	Chemical-resistant Wash down Resistant to chemicals
Switching state	LED, Yellow
Display	4-digit 7-segment LED display
<b>Tests/approvals</b>	
Vibration resistance	MIL-STD-202G, Method 201A (10 to 60 Hz, 1.52 mm peak to peak amplitude, for 2 hours along the x, y and z-axis), sensor operating
Shock test	MIL-STD-202G, Method 213B Condition I (100G 6x along the XYZ-axis, 18 impacts), sensor in operation
Approvals	CE, cULus, ECOLAB

operating parameters and also return to the factory defaults.

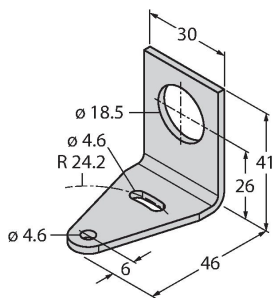
## Excess Gain Curve



## Accessories

SMB18A

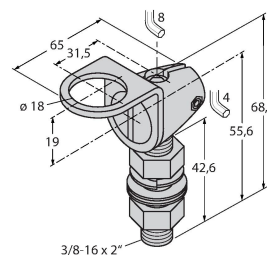
3033200



Mounting bracket, rectangular, stainless steel, for sensors with 18 mm thread

SMB18FAM10

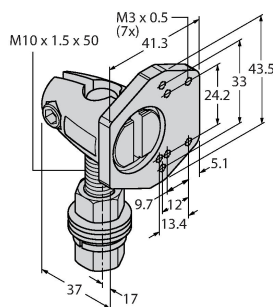
3011184



Mounting bracket, material VA 1.4401, for M10 x 1.5 thread, thread length 18 mm

SMBQ4XFAM10

3091513



Mounting bracket, rotatable, stainless steel, for sensors of the Q4X/Q3X series, M10 x 1.5 thread

## Accessories

Dimension drawing	Type	ID no.	
	RKC4.5T-2/TEL	6625016	Connection cable, female M12, straight, 5-pin, cable length: 2 m, sheath material: PVC, black; cULus approval; other cable lengths and qualities available, see <a href="http://www.turck.com">www.turck.com</a>
	RKH4.5-2/TFG	6933455	Connection cable, M12 female, straight, 5-pin, stainless steel coupling nut, cable length: 2 m, jacket material: TPE, gray, temperature range -40...+105 °C; other cable lengths and designs available, see <a href="http://www.turck.com">www.turck.com</a>
	RKS4.5T-2/TEL	6626361	Connection cable, M12 female connector, straight, 5-pin, cable length: 2 m, sheath material: PVC, black; shielded; cULus approval; other cable lengths and qualities available, see <a href="http://www.turck.com">www.turck.com</a>
	WKS4.5T-2/TEL	6626364	Connection cable, M12 female connector, angled, 5-pin, cable length: 2 m, sheath material: PVC, black; shielded; cULus approval; other cable lengths and qualities available, see <a href="http://www.turck.com">www.turck.com</a>

## Accessories

Dimension drawing	Type	ID no.	
	BRT-Q4X-60X18	3095776	Reflector for Q4X laser sensors for clear object detection or dual-mode applications, rectangular housing: 60 mm x 18 mm

Dimension drawing	Type	ID no.	
	BRT-Q4X-60X50	3095777	Reflector for Q4X laser sensors, for clear object detection or dual-mode applications, rectangular housing: 60 mm x 50 mm

