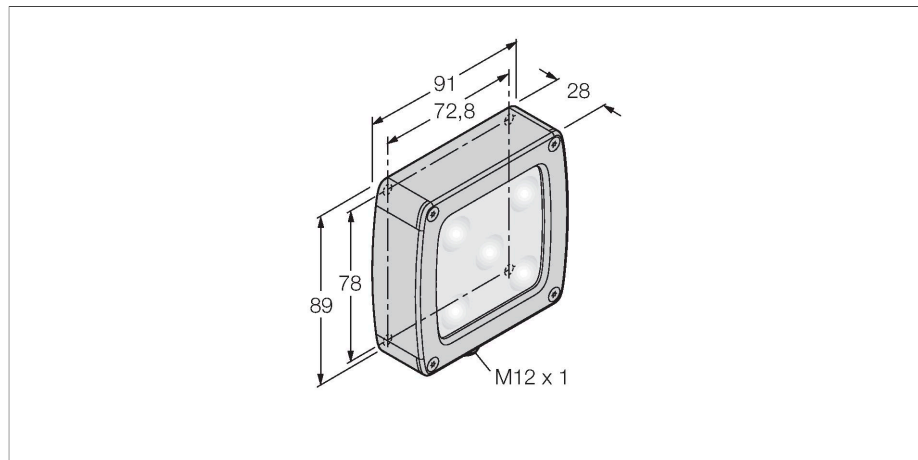


# LEDGA70AD5-PQ

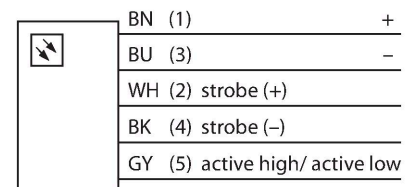
## Vision System – Area Light



### Features

- Sealed aluminium housing
- Protection class: IP68
- Color: green
- Light intensity, adjustable
- Power supply: 24 VDC
- M12 x 1 male
- Plastic window, opaque

### Wiring diagram



### Technical data

|                                    |                               |
|------------------------------------|-------------------------------|
| Type                               | LEDGA70AD5-PQ                 |
| ID                                 | 3016178                       |
| <b>Signal and display data</b>     |                               |
| Purpose                            | Image processing              |
| Function                           | Area light                    |
| Light type                         | Green                         |
| Wavelength                         | 520...535 nm                  |
| LED service life (L70)             | 50000 h                       |
| Dimmable                           | Yes                           |
| Features of color 1                | Green                         |
| Special features                   | Wash down                     |
| <b>Electrical data</b>             |                               |
| Operating voltage                  | 24 VDC                        |
| DC rated operational current       | ≤ 350 mA                      |
| Max. current consumption per color | 500 mA                        |
| <b>Mechanical data</b>             |                               |
| Design                             | Rectangular                   |
| Dimensions                         | 102 x 91 x 28.2 mm            |
| Housing material                   | Metal, Nickel-plated aluminum |
| Window material                    | Plastic, diffuse              |
| Electrical connection              | Connector, M12 × 1, PVC       |
| Number of cores                    | 5                             |
| Ambient temperature                | 0...+50 °C                    |
| Protection class                   | IP68                          |
| <b>Tests/approvals</b>             |                               |
| Approvals                          | CE, cULus listed              |

### Functional principle

Area lights are perfectly suited for uniform illumination of a determined area.

