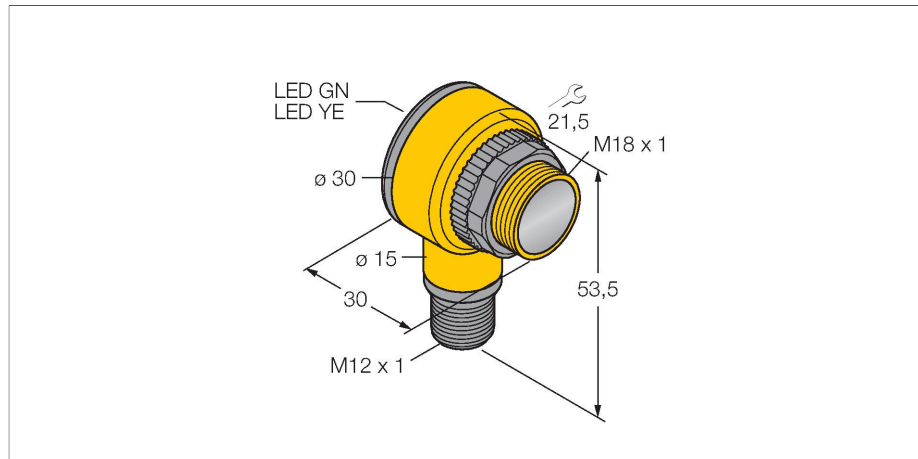


T18S2P6LPQ

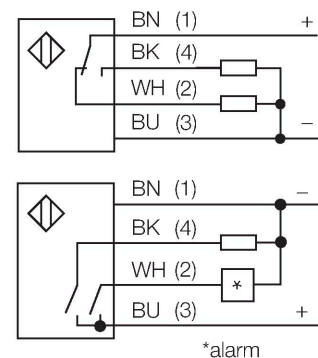
Photoelectric Sensor – Retroreflective Sensor with Polarizing Filter



Features

- M12 × 1 male connector, 4-pin
- Protection classes IP67/IP69K
- Ambient temperature: -40 °C...+70 °C
- Selectable light/dark operation or light operation with alarm function
- Operating voltage: 10...30 VDC
- PNP switching output, changeover

Wiring diagram

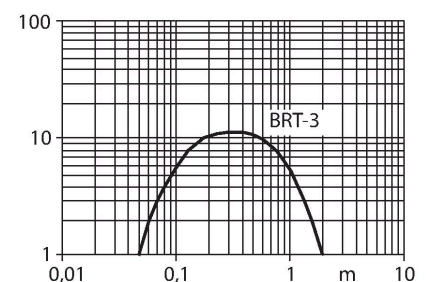


Technical data

| | |
|--------------------------------|---------------------------------|
| Type | T18S2P6LPQ |
| ID no. | 3045162 |
| Optical data | |
| Function | Retroreflective Sensor |
| Operating mode | Polarized |
| Reflector included in delivery | no |
| Light type | Red polarized |
| Wavelength | 680 nm |
| Range | 50...2000 mm |
| Electrical data | |
| Operating voltage | 10...30 VDC |
| No-load current | ≤ 25 mA |
| Short-circuit protection | yes / Cyclic |
| Reverse polarity protection | yes |
| Output function | Connection programmable, PNP |
| Switching frequency | ≤ 160 Hz |
| Readiness delay | ≤ 100 ms |
| Response time typical | < 3 ms |
| Overcurrent release | > 220 mA |
| Mechanical data | |
| Design | Rectangular with thread, T18 |
| Dimensions | Ø 18 x 30 x 30 x 54 mm |
| Housing material | Plastic, Thermoplastic material |
| Lens | plastic, Acrylic |
| Electrical connection | Connectors, M12 × 1, PVC |
| Number of cores | 4 |

Functional principle

Retro-reflective sensors incorporate emitter and receiver in a single compact housing. The light beam of the emitter is directed towards a reflector which returns the light back to the receiver. An object is detected when it interrupts this beam. Retro-reflective sensors have a high function gain and good contrast performance. Further it is merely required to install and wire a single device. Excess gain curve
Excess gain in relation to the distance

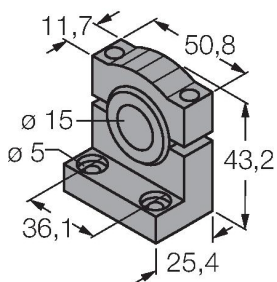


Technical data

| | |
|------------------------|---|
| Ambient temperature | -40...+70 °C |
| Protection class | IP67 IP69 |
| Special features | Chemical-resistant Encapsulated Wash down |
| Power-on indication | LED, Green |
| Switching state | LED, Yellow |
| Error indication | LED, green, Flashing |
| Excess gain indication | LED |
| Alarm display | LED yellow Flashing |
| Tests/approvals | |
| Approvals | CE, UL, CSA |

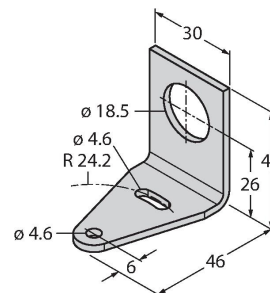
Accessories

SMB1815SF 3053279



Mounting bracket, PBT black, for PICO-GUARD points

SMB18A 3033200

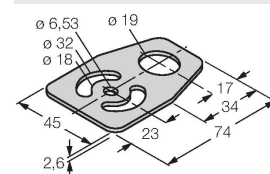


Mounting bracket, rectangular, stainless steel, for sensors with 18 mm thread

SMB18FM 3079421


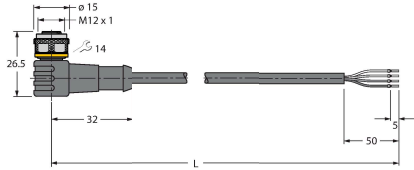
mounting bracket, black, M22 x1.5 mm, male thread, female thread M18 x 1, for sensors with 18 mm thread

SMBAMS18P 3073134

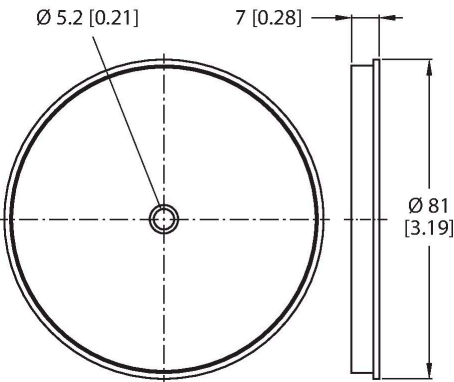


Mounting bracket, stainless steel, for sensors with 18 mm thread

Accessories

| Dimension drawing | Type | ID no. | |
|---|---------------|---------|--|
|  | RKC4.4T-2/TEL | 6625013 | Connection cable, female M12, straight, 4-pin, cable length: 2 m, sheath material: PVC, black; cULus approval; other cable lengths and qualities available, see www.turck.com |
|  | WKC4.4T-2/TEL | 6625025 | Connection cable, female M12, angled, 4-pin, cable length: 2 m, sheath material: PVC, black; cULus approval; other cable lengths and qualities available, see www.turck.com |

Accessories

| Dimension drawing | Type | ID no. | |
|--|-------|---------|---|
|  | BRT-3 | 3016164 | Round reflector, reflection coefficient 1.0, material acrylic, ambient temperature -20...+60 °C |