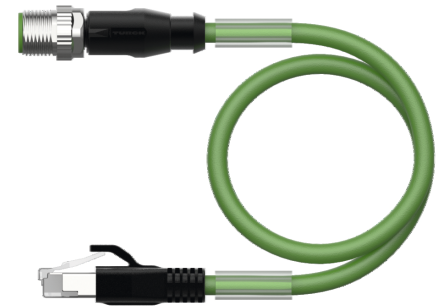
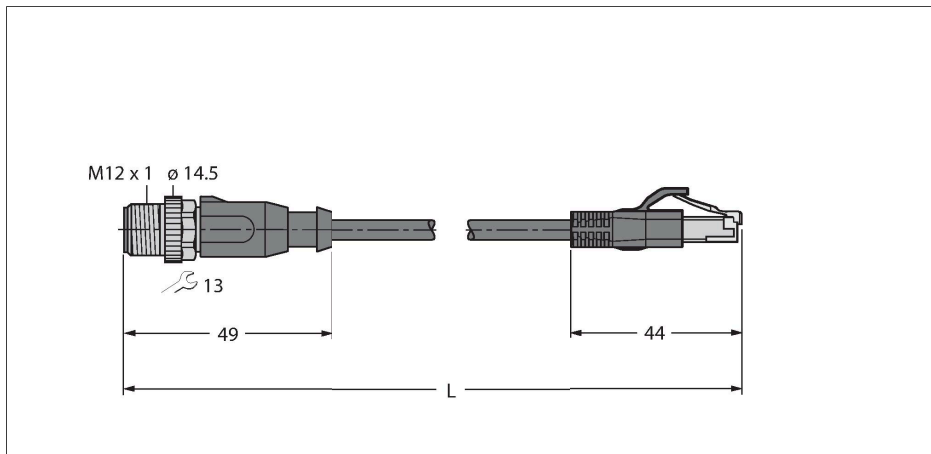


# RSSD-RJ45S-4416-25M

## Industrial Ethernet/PROFINET Cable – Extension Cable



### Technical data

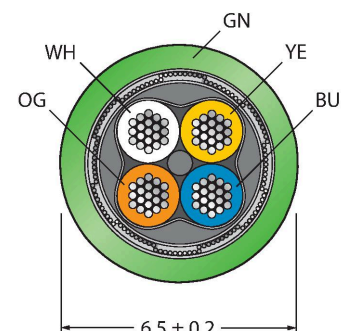
|                           |                                                              |
|---------------------------|--------------------------------------------------------------|
| Type                      | RSSD-RJ45S-4416-25M                                          |
| ID                        | 6441640                                                      |
| Connector A               | Male, M12 × 1, Straight, D-coded                             |
| Number of Pins            | 4                                                            |
| Contacts                  | Metal, CuZn, Gold-plated                                     |
| Contact carriers          | Plastic, PA, UL 94, Black                                    |
| Connector body            | Plastic, TPU, UL 94, Black                                   |
| Coupling nut/screw        | Brass, GD-Zn, Nickel-plated                                  |
| Tightening torque (range) | 0.4 ... 0.6 Nm<br>(observe max. torque of mating connector!) |
| Mechanical lifespan       | > 100 Mating cycles                                          |
| Pollution degree          | 3/2                                                          |
| Protection class          | IP67, Only in screwed condition                              |
| Connector B               | Male, RJ45, Straight                                         |
| Number of pins            | 4                                                            |
| Contacts                  | Metal, CuZn, Gold-plated                                     |
| Contact carriers          | Plastic, PC                                                  |
| Connector body            | Plastic, TPU, UL 94                                          |
| Mechanical life           | > 100 Mating cycles                                          |
| Pollution degree          | 3/2                                                          |
| Protection class          | IP20                                                         |
| Cable                     |                                                              |
| Network protocol          | Ethernet                                                     |
| Cable diameter            | Ø 6.5 mm ±0.20                                               |
| Cable length              | 25 m                                                         |
| Cable jacket              | PUR, Green                                                   |
| Shielding                 | Aluminum foil, tinned copper wire                            |

### Features



- M12 male connector, straight, D-coded
- RJ45 male connector, straight, 4-pin
- Ethernet cable: 4-pin, AWG 22
- CAT 5E
- Jacket material: PUR
- Jacket color: green
- Shielding: overlapping aluminum foil, tinned copper wire
- Jacket diameter: 6.5 mm
- Suitable for drag chain use
- Oil resistant acc. to IEC 60811-2-1 and UL13
- Halogen free acc. to IEC 60754
- Flame retardant acc. to IEC 60332-1-2 and UL2556 VW1
- Approval: UL
- RoHS compliant
- PNO compliant
- Cable length: 25 m

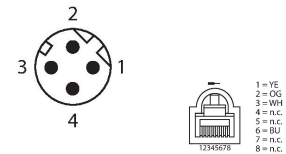
### Cable Cross-Section



## Technical data

|                                           |                          |
|-------------------------------------------|--------------------------|
| Core insulation                           | PE                       |
| Core cross-section                        | 4 x 0.32 mm <sup>2</sup> |
| Arrangement of strands                    | 7 x 0.25 mm              |
| Core colors                               | WH, YE, BU, OG           |
| <b>Electrical properties at +20 °C</b>    |                          |
| Test voltage                              | 2000 V                   |
| Current                                   | 0.35 A                   |
| DC resistance (loop)                      | 120 Ω/km                 |
| Nom. impedance                            | 100 Ω (1MHZ)             |
| Nom. capacitance                          | 50 pF/m                  |
| <b>Mechanical and chemical properties</b> |                          |
| Bending radius (stationary installation)  | ≥ 5 x Ø                  |
| Bending radius (flexible use)             | ≥ 8 x Ø                  |
| Bending cycles                            | ≥ 3 million              |
| Torsional stress                          | ± 180 °/m                |
| Torsion cycles                            | ≤ 100,000 Cycles         |
| Ambient temperature range (stationary)    | -50...+70 °C             |
| Ambient temperature range (In motion)     | -20...+60 °C             |
| <b>Other Features</b>                     |                          |
| Qualified for drag chain use              | yes                      |
| Halogen-free                              | yes                      |
| PVC-free                                  | yes                      |
| UV resistance                             | yes                      |
| Oil-resistant                             | yes                      |
| Flame-retardant                           | yes                      |
| Approvals                                 | UL Listed                |

## Contact assignment



## Circuit Diagram

