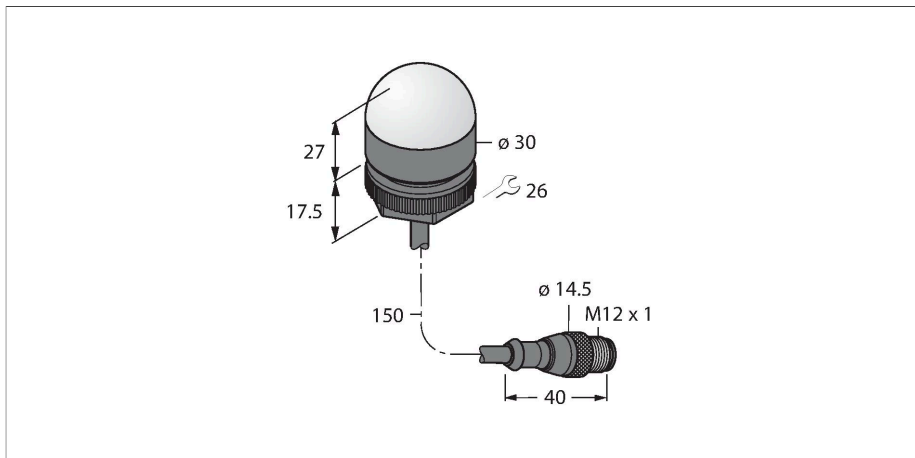


K30L2FRGB7QP

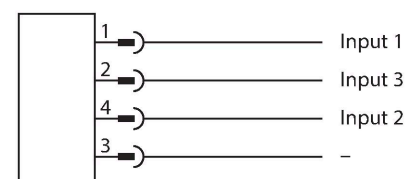
LED Indicator – Beacon



Features

- LED all-round visible
- Individually controllable
- Mechanical screw-in thread M22x1.5
- Protection class IP67
- In the standard settings, up to seven colors can be displayed in accordance with the logic table (COL 1, COL 2, COL 3, flashing function)
- Can be configured using Pro Editor, can display up to 14 colors, various lighting animations, configurable I/O-block compatibility
- Cable with male end M12 x 1
- Operating voltage 10...30 VDC

Wiring diagram



Functional principle

These lights have RGB LEDs. Four input signals enable one of seven predefined colors to be controlled when using the standard settings, with an optional flashing function if required. The logic table shows which input needs to be connected. Using the Pro Editor software, the advanced settings allow these lights to be assigned up to 14 predefined colors. The major advantage of these LEDs is the color fidelity and luminance. Compared to their predecessors, a large number of variants can be produced with just a single light. The wiring diagram shows a PNP pin assignment.

Technical data

Type	K30L2FRGB7QP
ID	3802142
Signal and display data	
Purpose	LED indicator light
Function	Spotlight
Light type	RGB
Dimmable	Programmable
Features of color 1	Red, Permanently on, 3.2 lm
Features of color 2	Green, 4.6 lm
Features of color 3	Blue, 0.7 lm
Features of color 4	Yellow, 7.1 lm
Features of color 5	White, 6.9 lm
Features of color 6	Magenta, 4.5 lm
Features of color 7	5.3 lm
Special features	Wash down
Electrical data	
Operating voltage	10...30 VDC
DC rated operational current	≤ 25 mA
Max. current consumption per color	60 mA
Input type	Bipolar (PNP/NPN)
Response time typical	< 250 ms
Mechanical data	
Cascadable	No
Design	Dome, K30L
Dimensions	Ø 30 x 44.5 mm
Housing material	Plastic, FDA copolyester
Window material	Polycarbonate, diffuse

Technical data

Electrical connection	Cable with connector, M12 × 1, 0.15 m, PVC
Number of cores	5
Ambient temperature	-40...+50 °C
Relative humidity	0...90 %
Protection class	IP66 IP67 IP69
Tests/approvals	
MTTF	626 years acc. to SN 29500 (Ed. 99) 40 °C
Approvals	CE

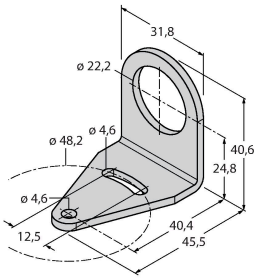
	R	Y	G	T	B	M	W
COL1	×	×				×	×
COL2		×	×	×			×
COL3				×	×	×	×

Accessories

SMB22A

3079414

Mounting bracket, stainless steel, for K30L series



Accessories

Dimension drawing	Type	ID	
	RKC4.5T-2/TEL	6625016	Connection cable, M12 female connector, straight, 5-pin, cable length: 2 m, jacket material: PVC, black; cULus approval
	WKC4.5T-2/TEL	6625028	Connection cable, M12 female connector, angled, 5-pin, cable length: 2 m, jacket material: PVC, black; cULus approval