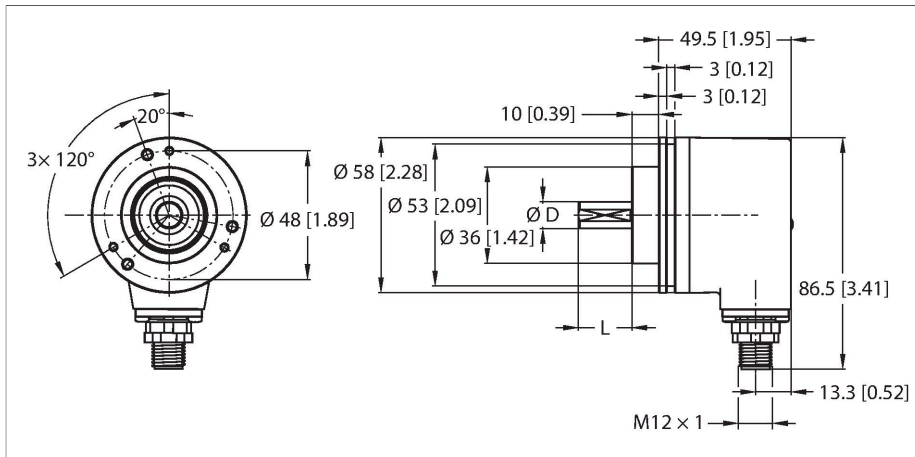


REM-105SA1C-9D32B-B1M12/N46

Absolute Rotary Encoder - Multiturn Industrial Line



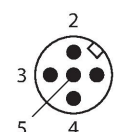
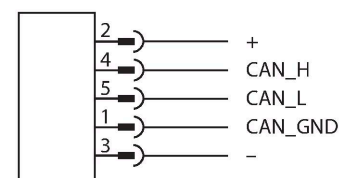
Technical data

Type	REM-105SA1C-9D32B-B1M12/N46
ID	100011422
Measuring principle	Optical
General data	
Max. Rotational Speed	8000 rpm
Moment of inertia of the rotor	$3 \times 10^{-6} \text{ kgm}^2$
Absolute accuracy	$\pm 0.015^\circ$ At 25 °C
Output type	Absolute multiturn
Electrical data	
Operating voltage	10...30 VDC
No-load current	80 mA
Short-circuit protection	yes
Wire breakage/Reverse polarity protection	yes
Communication protocol	CANopen
Interface	CAN High-Speed in accordance with ISO 11898, basic and full CAN, CAN specification 2.0 B
Node ID	1...127 mit Software konfigurierbar; Werkseinstellung: 63
Baud rate	10 kbps to 1000 kbps software configurable
Mechanical data	
Design	Solid shaft
Flange type	Clamping flange
Flange diameter	Ø 58 mm
Shaft Type	Solid shaft
Shaft diameter D [mm]	9.525

Features

- Clamping flange, Ø 58 mm
- Solid shaft, Ø 9.525 mm x 22.225 mm
- Optical measuring principle
- Shaft material: stainless steel
- Protection class IP67 on housing and shaft side
- -40...+80 °C
- Max. 8000 rpm (continuous operation 5000 rpm)
- 10...30 VDC
- CANopen
- M12 x 1 male, 5-pin
- Singleturn resolution 14 bit scalable, default 14 bit
- Multiturn resolution scalable up to 16 bit over total resolution
- Total resolution 32 bit scalable, default: 32 bit

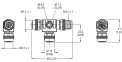
Wiring diagram



Technical data

Shaft Length L [mm]	22.225
Shaft material	Stainless steel
Housing material	Die-cast zinc
Electrical connection	Connector, M12 × 1
	5-pin
Axial shaft load	40 N
Radial shaft load	80 N
Environmental conditions	
Ambient temperature	-40...+80 °C
Vibration resistance (EN 60068-2-6)	10 g (100 m/s ²), 55...2000 Hz
Shock resistance (EN 60068-2-27)	250 g (2500 m/s ²), 6 ms
Protection class	IP67
Protection class shaft	IP67

Accessories

Dimension drawing	Type	ID	
	FSM-2FKM57	6622101	CANopen/DeviceNet/power supply T-splitter, 1 × M12 male connector, 2 × M12 female connector, 5-pin
	RKC5701-5M	6931034	Bus cable for CAN (DeviceNet, -CANopen), M12 female connector, straight, cable length: 5 m, jacket material: PUR, anthracite; cULus approval

