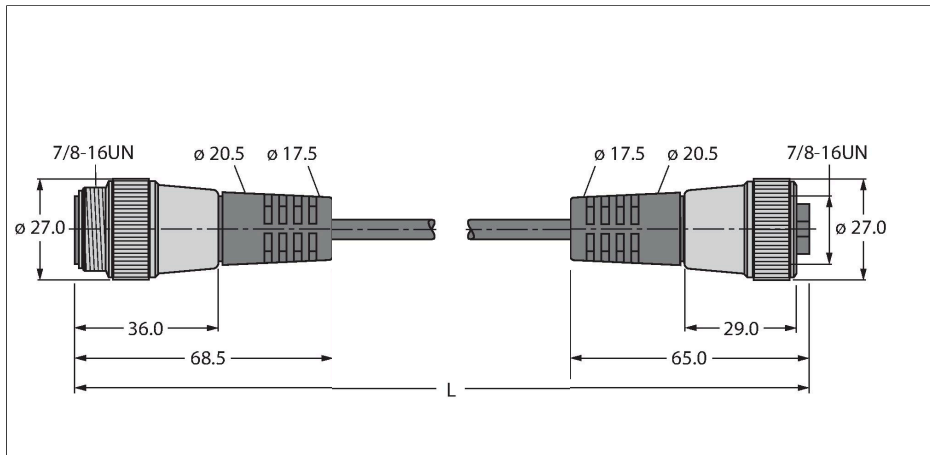


# RSM RKM 5711-4M

## Bus Cable for CAN (DeviceNet, CANopen) – PVC Cable Jacket

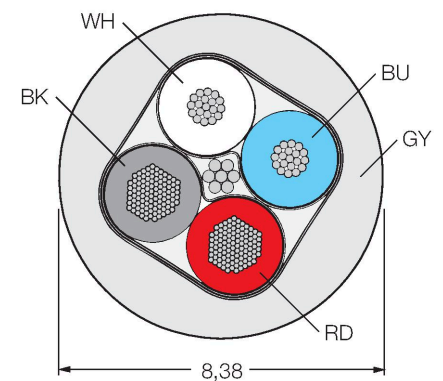


### Features



- Jacket material: PVC
- Jacket color: gray
- UL approval
- 7/8" female, straight
- 7/8" male, straight
- Cable length: 4.0 m

### Cable Cross-Section



### Contact assignment



### Technical data

Type	RSM RKM 5711-4M
ID	U5452-63
Connector A	Male, 7/8"-16 UN, Straight
Number of Pins	5
Contacts	Metal, CuZn, Gold-plated
Contact carriers	Plastic, TPU, Blue
Connector body	Plastic, TPU, Blue
Coupling nut/screw	Brass, CuZn, Nickel-plated
Mechanical lifespan	> 100 Mating cycles
Pollution degree	3
Protection class	IP67, Only in screwed condition
Connector B	Female, 7/8"-16 UN, Straight
Number of pins	5
Contacts	Metal, CuZn, Gold-plated
Contact carriers	Plastic, PUR, Blue
Connector body	Plastic, TPU, Blue
Coupling nut/retaining screw	Brass, CuZn, Nickel-plated
Mechanical life	> 100 Mating cycles
Protection class	IP67, Only when screwed together
Cable	
Network protocol	DeviceNet CANopen, 5711
Cable diameter	Ø 8.38 mm
Cable length	4 m
Cable jacket	PVC, Gray
Shielding	yes

## Technical data

Core insulation	PE (Data), PVC (Power)
<b>Data cable cores</b>	
Core cross-section	2 x 0.52 mm <sup>2</sup>
Arrangement of strands	19 x 0.19 mm
<b>Power cable cores</b>	
Core cross-section	2x 1.3 mm <sup>2</sup>
Litz wire arrangement	65 x 0.16 mm
Core colors	Power: RD, BK, Data: WH, BU
<b>Electrical properties at +20 °C</b>	
Rated voltage	300 V
Current	7 A
DC resistance (loop)	34.1 Ω/km
Nom. impedance	110 Ω (1 MHz)
Nom. capacitance	40.52 pF/m
<b>Mechanical and chemical properties</b>	
Bending radius (stationary installation)	≥ 5 x Ø
Bending radius (flexible use)	≥ 15 x Ø
Ambient temperature range (stationary)	-40...+80 °C
<b>Other Features</b>	
Qualified for drag chain use	no
Halogen-free	no
Approvals	UL CSA
<b>Note</b>	
- We reserve the right to make technical modifications without prior notice.	