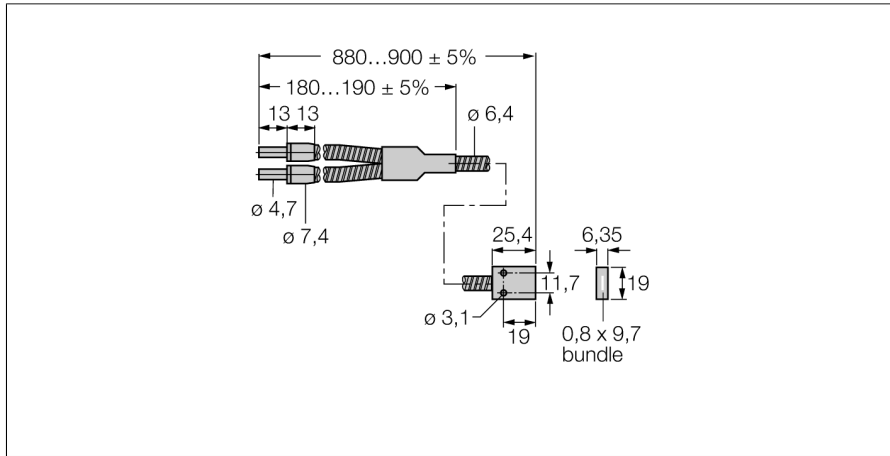


Glass Fiber Bifurcated Fiber BR23S



- Operating mode: Diffuse/Retroreflective
- Stainless steel jacket, flexible
- Operating temperature of fiber-optic jacket: -140...+249 °C
- Rectangular end tip
- Rectangular light emission 9.7 mm
- Optical fiber, bundle diameter: 3.2 mm
- Optical fiber, total length: ± 914 mm

Functional principle

Glass or plastic fibers are the optimum choice for high-temperature applications and limited spaces. They transfer the light from the sensor to a remote object. Individual fibers are used for opposed mode sensing, whereas bifurcated fibers are suited for retroreflective or diffuse mode operation.

Type	BR23S
ID	3017261

Optical data	
Function	Diffuse mode sensor
Fiber-optic type	Glass

Mechanical data	
Design	Rectangular
Housing material	Stainless steel
Jacket material	Stainless-steel mono-winding coil
Jacket material	metal, 1.4310 (AISI 301)
Bundle diameter	3.2 mm
Material of the fiber-optic tip	Polyethylene
Bending radius	Ø 25 mm
Ambient temperature	-140...+249 °C
Max. temperature tip	105 °C