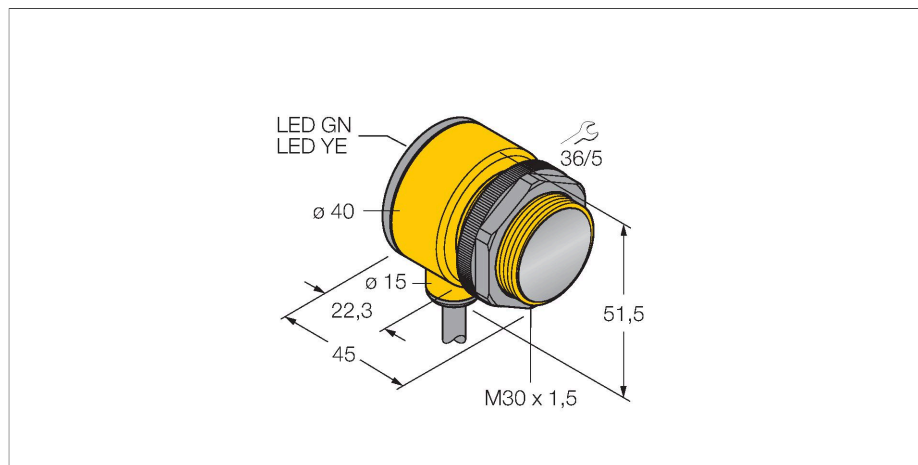


T30AW3RE

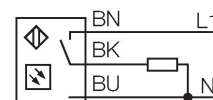
Photoelectric Sensor – Opposed Mode



Features

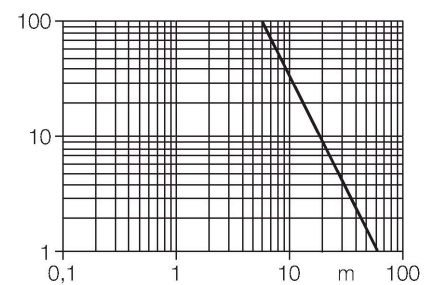
- Cable, 2 m
- Protection class IP67
- Ambient temperature: -40...+70 °C

Wiring diagram



Technical data

Type	T30AW3RE
ID no.	3037072
Optical data	
Function	Opposed mode sensor
Operating mode	Emitter/receiver pair
Range	60000 mm
Electrical data	
Operating voltage	20...250 VAC
AC rated operational current	≤ 200 mA
Output function	Light operation, Relay output
Switching frequency	≤ 40 Hz
Readiness delay	≤ 100 ms
Response time typical	< 16 ms
Mechanical data	
Design	Rectangular with thread, T30
Dimensions	Ø 30 x 45 x 40 x 51.5 mm
Housing material	Plastic, Thermoplastic material
Lens	plastic, Acrylic
Electrical connection	Cable, 2 m, PVC
Number of cores	3
Core cross-section	0.5 mm ²
Ambient temperature	-40...+70 °C
Protection class	IP69
Special features	Encapsulated Wash down
Power-on indication	LED, Green
Switching state	LED, Yellow



Technical data

Excess gain indication LED

Tests/approvals

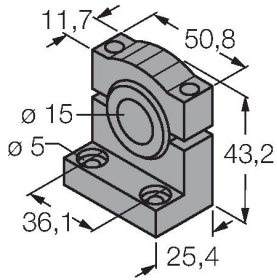
Approvals CE, UL, CSA

Accessories

SMB1815SF

3053279

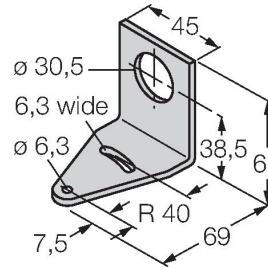
Mounting bracket, PBT black, for PICO-GUARD points



SMB30A

3032723

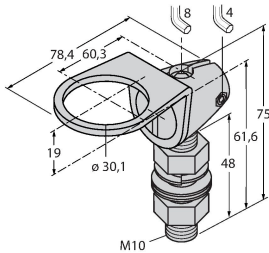
Mounting bracket, rectangular, stainless steel, for sensors with 30mm thread



SMB30FAM10

3011185

Mounting bracket, stainless steel, for M10 x 1.5 thread, thread length 30 mm



SMBAMS30P

3073135

Mounting bracket, stainless steel, for sensors with 30 mm thread

