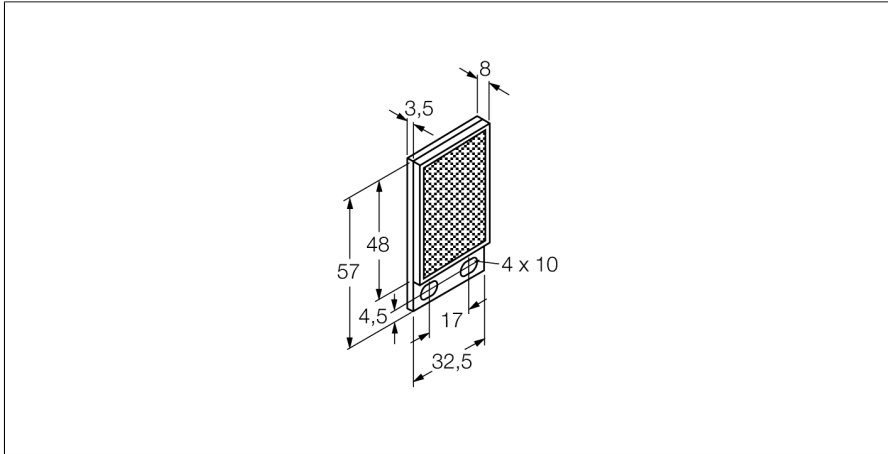


# Accessories

## Reflector

### BRT-48X32B



- Rectangular design
- Reflective area 0.29
- Reflection coefficient 1
- (Reference BRT-3)

#### Functional principle

Retro-reflective sensors incorporate emitter and receiver in a single compact housing. The light beam of the emitter is directed towards a reflector which returns the light back to the receiver. An object is detected when it interrupts this beam. Retro-reflective sensors have a high function gain and good contrast performance. Further it is merely required to install and wire a single device.

Type	BRT-48X32B
ID	3044999
Design	Rectangular
Lens	plastic, Acrylic
Ambient temperature	-20...+50 °C