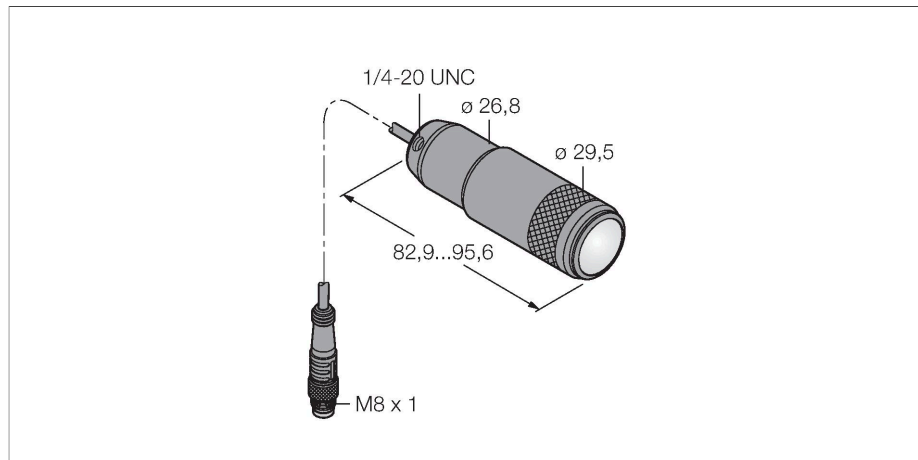


LEDGSM

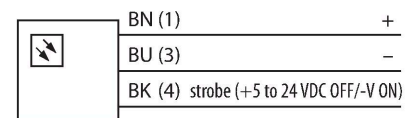
Vision System – Spotlight



Features

- Protection class: IP67
- Color: green
- Power supply: 10...30 VDC
- Pigtail M8x1, 2 m

Wiring diagram



Technical data

Type	LEDGSM
ID	3079200
Signal and display data	
Purpose	Image processing
Function	Spotlight
Light type	Green
Wavelength	520...535 nm
LED service life (L70)	50000 h
Features of color 1	Green
Special features	Wash down
Electrical data	
Operating voltage	10...30 VDC
DC rated operational current	≤ 360 mA
Max. current consumption per color	360 mA
Mechanical data	
Design	Smooth barrel
Dimensions	Ø 29.5 x 95.6 mm
Housing material	Metal, Anodized AL
Window material	Glass, clear
Electrical connection	Cable with connector, M8 × 1, 2 m, PVC
Number of cores	3
Ambient temperature	-40...+50 °C
Protection class	IP67
Tests/approvals	
Approvals	CE

Functional principle

Pinpoint illumination