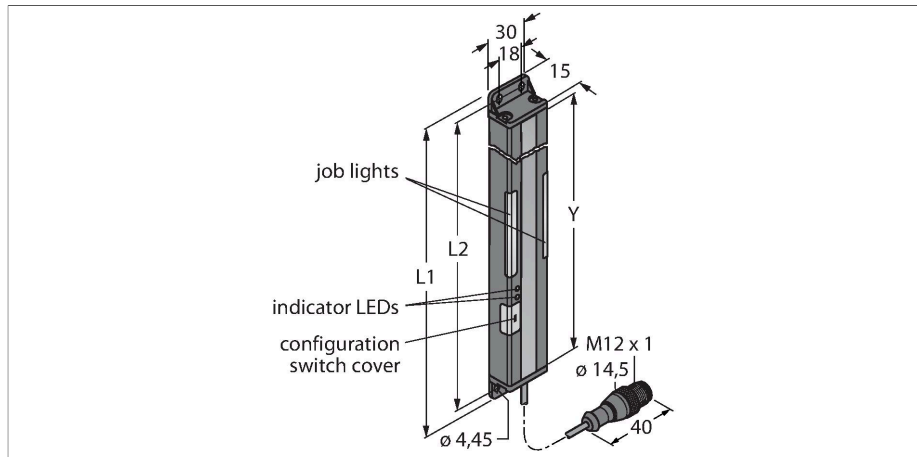


# PVA375N6RQ

## Pick-to-Light – Placement Sensor

### Light Grid



## Features

- Scan field Y: 375 mm
- Total height 416.6 mm
- 13-beam system, beam spacing 25 mm
- Receiver
- Range max. 2 m
- Light / Dark operation
- Selectable frequency as protection against crosstalk
- Operating voltage 12...30 VDC
- NPN switching output of the receiver
- Input of operation request light +24 VDC
- Protection class IP62

## Functional principle

This light screen used for fault detection and assembly sequences, has good visible job lights at the emitter and the receiver, guiding the operator through the picking sequence. Missing parts and incorrect assembly are thus avoided. A control unit issues the work sequence and indicates the next work step after receiving feedback from the light screen. Misspick is immediately detected and indicated by a red flashing light.

## Technical data

Type	PVA375N6RQ
ID	3051924
<b>Signal and display data</b>	
Purpose	Pick-to-Light
Function	Opposed mode sensor
Max. range	2000 mm
Scan field	375 mm
Number of beams	16
Optical resolution	25 mm
Switch Function	Momentary
Features of color 1	Green, Can be set via DIP switches
<b>Electrical data</b>	
Operating voltage	12...30 VDC
Max. current consumption per color	62 mA
Output function	NO/NC, NPN
Input type	Bipolar (PNP/NPN)22
Response time typical	< 64 ms
<b>Mechanical data</b>	
Design	Rectangular, PVA
Dimensions	416.6 x 30 x 15 mm
Housing material	Metal, AL, Black
Window material	Acrylic, clear
Electrical connection	Cable with connector, M12 x 1, 2 m, PVC
Number of cores	4
Ambient temperature	0...+50 °C

## Technical data

Protection class IP62

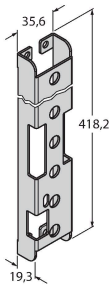
Tests/approvals

Approvals CE, cURus

## Accessories

SMBPVA16

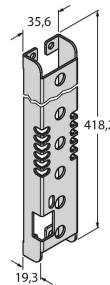
3056811



Mounting bracket, for PVA375, cold-rolled steel, cut-out for DIP switch block

SMBPVA16A

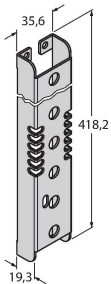
3062449



Montagehalterung, für PVA375, kaltgewalzter Stahl, Aussparung für DIP-Schalter-Bank, Schutz für Leuchtanzeige

SMBPVA16AB

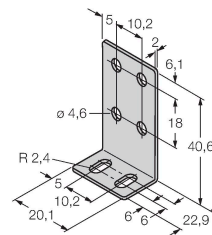
3070808



Mounting bracket, for PVA375, cold-rolled steel, no cut-out for DIP switch block, protection for light

SMBPVA1

3056884



Mounting bracket, for PVA and PVD, stainless steel; set consisting of two brackets and screws

## Accessories

Dimension drawing

Type

ID

RKC4.4T-2/TEL

6625013

Connection cable, M12 female connector, straight, 4-pin, cable length: 2 m, jacket material: PVC, black; cULus approval



WKC4.4T-2/TEL

6625025

Connection cable, M12 female connector, angled, 4-pin, cable length: 2 m, jacket material: PVC, black; cULus approval

