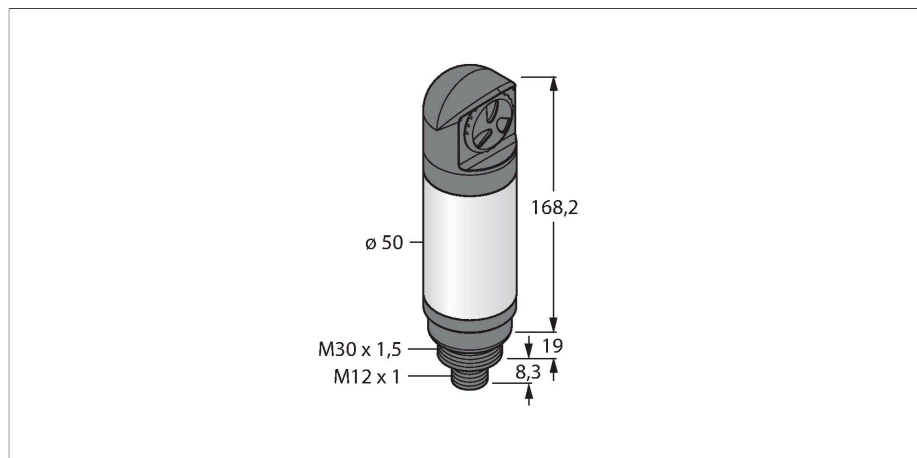


CL50GRYALSPQ

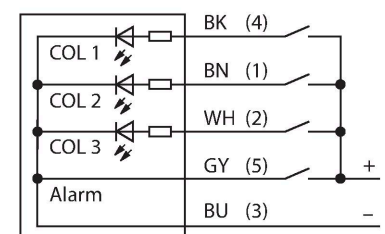
LED Indicator – Tower Light



Features

- LED tower light with beeper
- Individually controllable
- Mechanical screw-in thread M30 x 1.5
- Protection class IP67
- Multicolor: Green (COL 1) / Red (COL 2) / Yellow (COL 3)
- Beeper: Sealed, continuous tone max. 94 dB

Wiring diagram



Technical data

Type	CL50GRYALSPQ
ID	3016908
Signal and display data	
Purpose	LED indicator light
Function	Tower light
Light type	Green Red Yellow
Dimmable	No
Features of color 1	Green, Permanently on, 72 lm
Features of color 2	Red, Permanently on, 38 lm
Features of color 3	Yellow, Permanently on, 30 lm
Acoustic signal	Continuous tone, 94 dB
Electrical data	
Operating voltage	18...30 VDC
Max. current consumption per color	100 mA
Max. current consumption of beeper	35 mA
Input type	PNP
Response time typical	< 10 ms
Mechanical data	
Cascadable	No
Design	Smooth barrel, CL50
Dimensions	Ø 50 x 168.2 mm
Housing material	Plastic, ABS/Polycarbonate, Black
Window material	Polycarbonate, diffuse
Electrical connection	Connector, M12 × 1, PVC
Number of cores	5

Functional principle

Multicolor multifunction acoustic signaller
 Rugged and well-priced LED tower, easy to install
 Illuminated segments for clear operator guidance and display of system status.
 Display of up to 3 colors.
 Compact devices, no controller required
 No mounting

Technical data

Ambient temperature	-20...+50 °C
Relative humidity	0...95 %
Protection class	IP67
Tests/approvals	
Approvals	CE, UL listed

Accessories

Dimension drawing	Type	ID	
	RKC4.5T-2/TEL	6625016	Connection cable, M12 female connector, straight, 5-pin, cable length: 2 m, jacket material: PVC, black; cULus approval
	WKC4.5T-2/TEL	6625028	Connection cable, M12 female connector, angled, 5-pin, cable length: 2 m, jacket material: PVC, black; cULus approval