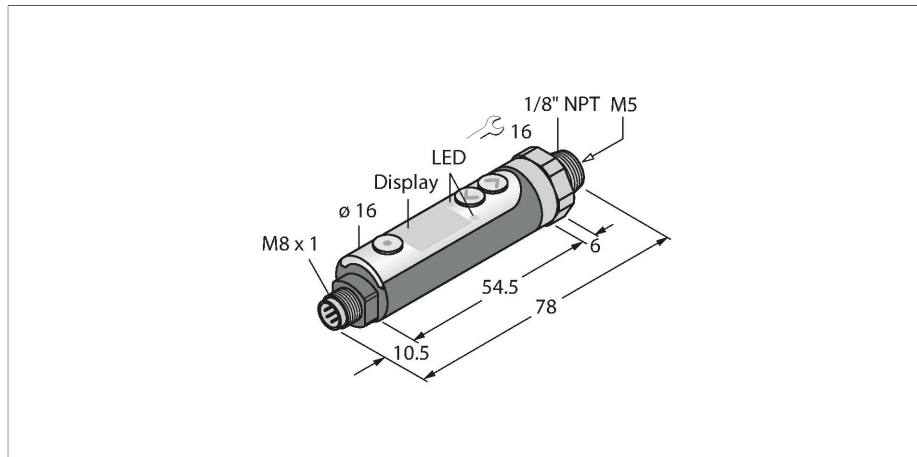


# PK01V-P14-2UP8X-V1141

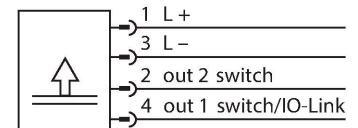
## Pressure Sensor – IO-Link with 2 PNP Transistor Switching Outputs



### Features

- Compact design
- For pressure and vacuum monitoring
- Rotatable sensor body
- Display rotatable by 360°
- Excellent EMC properties
- 2 × PNP outputs, IO-Link
- Pressure range -1...1 bar rel.

### Wiring diagram



### Technical data

Type	PK01V-P14-2UP8X-V1141
ID	100042129
<b>Pressure range</b>	
Pressure type	Relative pressure
Pressure range	-1...1 bar
	-14.5...14.5 psi
	-0.1...0.1 MPa
Admissible overpressure	≤ 2 bar
Response time	< 2.8 ms
<b>Power supply</b>	
Operating voltage	10.8...30 VDC
Short-circuit/reverse polarity protection	yes / yes
Protection type and class	IP65
<b>Outputs</b>	
Output 1	Switching output or IO-Link mode
Output 2	Switching output
<b>Switching output</b>	
Output function	NO/NC, PNP
Accuracy	± 2 % FS BSL
Rated operational current	0.25 A
Switching frequency	≤ 200 Hz
Switch point:	0...100 %
<b>IO-Link</b>	
IO-Link specification	V 1.1
Programming	FDT/DTM

### Functional principle

The pressure sensors of the PK product series operate using a silicon measuring cell. As a result of the pressure acting on the silicon, a signal that is proportional to the pressure is generated and processed electronically. The processed signal is available as a switching output or as digital process parameters. The sensors are intended only for use in non-aggressive gas and compressed-air applications. In the case of lubricated compressed air, it is recommended that the pressure connection points downward.

## Technical data

Transmission physics	Complies with 3-wire technology (PHY2)
Transmission rate	COM 2/38.4 kbps
Frame type	2.2
<b>Temperature behaviour</b>	
Medium temperature	0...+60 °C
Temperature coefficient	± 0.2 % of full scale/10 K
<b>Environmental conditions</b>	
Ambient temperature	-10...+60 °C
Storage temperature	-20...+85 °C
Vibration resistance	10 to 55 Hz, 1.5 mm, XYZ 2 h
Shock resistance	10 g (11 ms) acc. to IEC 68-2-27
EMV	Emitted interference acc. to EN 61000 EN 61000-6-4* Intrinsically safe acc. to EN 61000-6-2* * shielded connection cable recommended
<b>Mechanical data</b>	
Housing material	Plastic, ABS
Pressure transducer material	Silicon
Process connection	1/4" NPT male thread
Wrench size pressure connection / coupling nut	SW 16
Electrical connection	Connector, M8 × 1
<b>Reference conditions acc. to IEC 61298-1</b>	
Temperature	15...+25 °C
Atmospheric pressure	860...1060 hPa abs.
Humidity	45...75 % rel.
Auxiliary power	24 VDC
<b>Displays/Operating elements</b>	
Display	3-digit 7-segment display, rotatable by 360°
Switching state	2 × LEDs, Yellow/yellow
Programming options	Switching/release points; NC/NO; hysteresis/window mode; switch-on/switch-off delay; pressure unit; diagnostic mode
<b>Tests/approvals</b>	
MTTF	318 years acc. to SN 29500 (Ed. 99) 40 °C

Accessories

Dimension drawing	Type	ID	
	PKW4M-2/TXL	6625559	Connection cable, M8 female connector, angled, 4-pin, cable length: 2 m, jacket material: PUR, black; cULus approval
	PKG4M-2/TXL	6625553	Connection cable, M8 female connector, straight, 4-pin, cable length: 2 m, jacket material: PUR, black; cULus approval
	PKW4M-2/TEL	6625067	Connection cable, M8 female connector, angled, 4-pin, cable length: 2 m, jacket material: PVC, black; cULus approval
	PKG4M-2/TEL	6625061	Connection cable, M8 female connector, straight, 4-pin, cable length: 2 m, jacket material: PVC, black; cULus approval