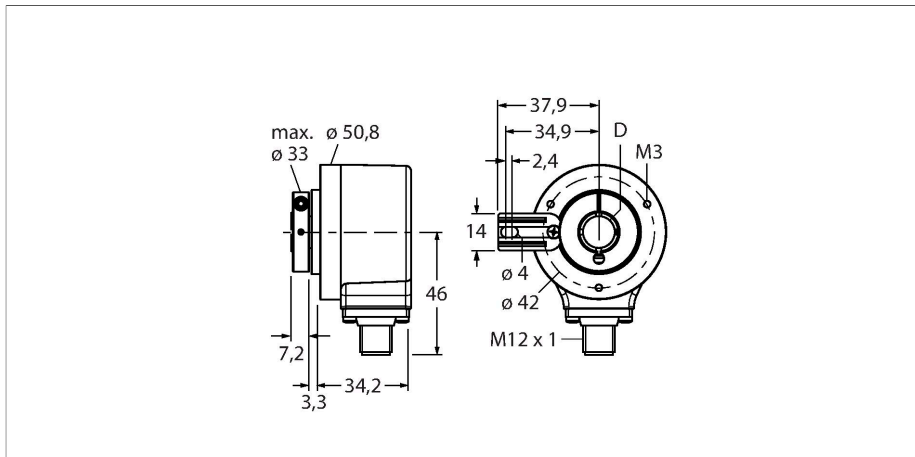


REI-12H10T-2B360-H1181

Incremental Encoder

Industrial Line



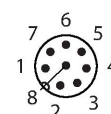
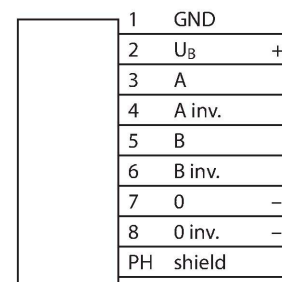
Technical data

| | |
|---|----------------------------------|
| Type | REI-12H10T-2B360-H1181 |
| ID | 100010375 |
| Measuring principle | Optical |
| General data | |
| Max. Rotational Speed | 6000 rpm |
| Moment of inertia of the rotor | $6 \times 10^{-6} \text{ kgm}^2$ |
| Starting torque | < 0.05 Nm |
| Output type | Incremental |
| Resolution, incremental | 360 ppr |
| Electrical data | |
| Operating voltage | 10...30 VDC |
| No-load current | 100 mA |
| Output current | ≤ 30 mA |
| Short-circuit protection | yes |
| Wire breakage/Reverse polarity protection | yes |
| Pulse frequency max. | 300 kHz |
| Signal level high | min. $U_B - 1 \text{ V}$ |
| Signal level low | max. 0.5 V |
| Output function | Push-Pull/HTL, invertable |
| Mechanical data | |
| Design | Hollow shaft |
| Flange type | Flange with mounting element |
| Flange diameter | Ø 50.8 mm |
| Shaft Type | Hollow shaft |
| Shaft diameter D [mm] | 10 |

Features

- Flange with torque stop, Ø 50.8 mm
- Hollow shaft, Ø 10 mm
- Optical measuring principle
- Shaft material: stainless steel
- Protection class IP67 on housing and shaft side
- -40...+85 °C
- Max. 6000 rpm (continuous operation 3000 rpm)
- 10...30 VDC
- Push-pull/HTL invertible
- Pulse frequency max. 300 kHz
- M12 × 1 male connector, 8-pin
- 360 pulses per revolution

Wiring diagram



Technical data

| | |
|-------------------------------------|-------------------------------------|
| Shaft material | Stainless steel |
| Housing material | Die-cast zinc |
| Electrical connection | Connector, M12 × 1 |
| | 8-pin |
| Axial shaft load | 40 N |
| Radial shaft load | 80 N |
| Environmental conditions | |
| Ambient temperature | -40...+85 °C |
| Vibration resistance (EN 60068-2-6) | 300 m/s ² , 10...2000 Hz |
| Shock resistance (EN 60068-2-27) | 3000 m/s ² , 6 ms |
| Protection class | IP67 |
| Protection class shaft | IP67 |

Accessories

| Dimension drawing | Type | ID | |
|-------------------|-------------|---------|---|
| | RKC8T-2/TXL | 6625142 | Connection cable, M12 female connector, straight, 8-pin, cable length: 2 m, jacket material: PUR, black; cULus approval |
| | WKC8T-2/TXL | 6625145 | Connection cable, M12 female connector, angled, 8-pin, cable length: 2 m, jacket material: PUR, black; cULus approval |