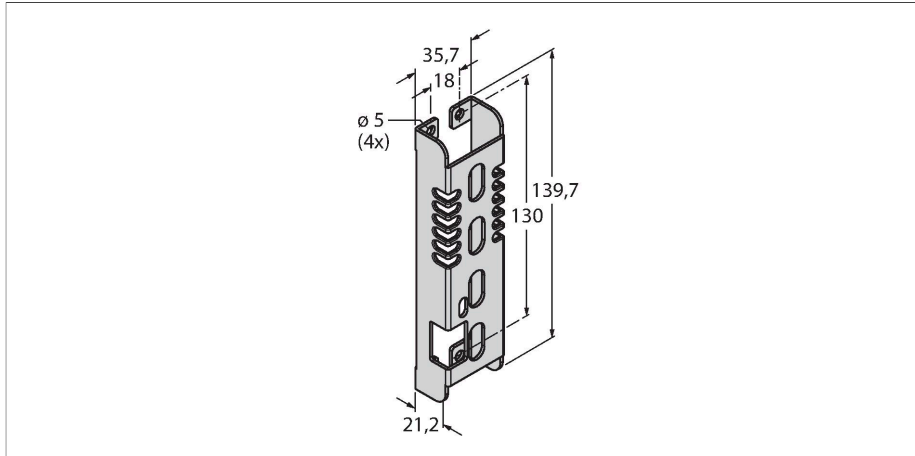


SMBPVD100A

Accessories – Mounting Bracket



Features

- Access to DIP switch
- Stainless steel

Technical data

Type	SMBPVD100A
ID	3071338