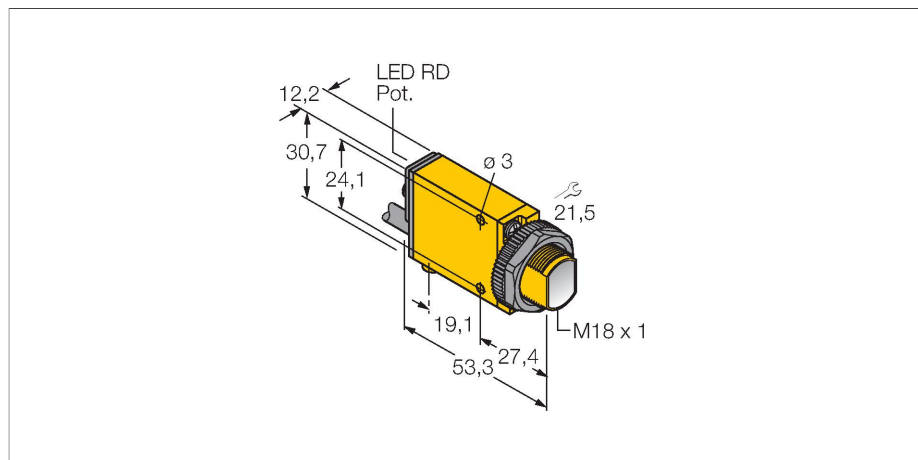


SM312FVGMHS W/30

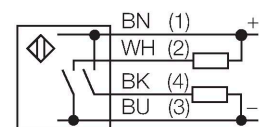
Photoelectric Sensor – Photoelectric Sensor for Glass Fibers



Features

- Cable, PVC, 2 m
- Protection class IP67
- Sensitivity adjusted via potentiometer
- Alignment indicator
- Operating voltage: 10...30 VDC
- Switching output, bipolar
- Light/dark operation

Wiring diagram



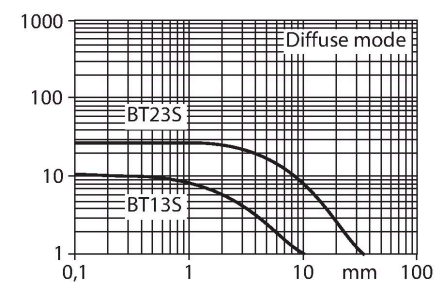
Technical data

Type	SM312FVGMHS W/30
ID no.	3050983
Optical data	
Function	Photoelectric sensor for glass fibers
Fiber-optic type	glass
Light type	Green
Wavelength	525 nm
Electrical data	
Operating voltage	10...30 VDC
Residual ripple	< 10 % U _{ss}
DC rated operational current	≤ 150 mA
No-load current	≤ 25 mA
Output function	NO contact, PNP/NPN
Switching frequency	≤ 500 Hz
Readiness delay	≤ 100 ms
Response time typical	< 0.3 ms
Overcurrent release	> 220 mA
Setting option	Potentiometer
Mechanical data	
Design	Rectangular with thread, Mini Beam
Dimensions	53.3 x 12.3 x 30.7 mm
Housing material	Plastic, Thermoplastic material, Yellow
Electrical connection	Cable, 9 m, PVC
Number of cores	4
Core cross-section	0.5 mm ²
Ambient temperature	-20...+70 °C
Relative humidity	0...90 %

Functional principle

Glass or plastic fibers are the optimum choice for high-temperature applications and limited spaces. Optical fibers transfer the light from the sensor to a remote object. Individual fibers are used for opposed sensing mode, whereas bifurcated fibers are suited for diffuse sensing mode.

Excess gain curve
Excess gain in relation to distance



Technical data

Protection class	IP67
Special features	Wash down
Switching state	LED, Red
Excess gain indication	LED, red, flashing
Tests/approvals	
Approvals	CE, cURus, CSA

Accessories

<p>SMB18A</p>	<p>3033200</p> <p>Mounting bracket, rectangular, stainless steel, for sensors with 18 mm thread</p>	<p>SMB18AFAM10</p>	<p>3012558</p> <p>Mounting bracket, material VA 1.4401, for M10 x 1.5 thread, thread length 18 mm</p>
<p>SMB18SF</p>	<p>3052519</p> <p>Mounting bracket, PBT black, for sensors with 18 mm thread, rotatable</p>	<p>SMB312B</p>	<p>3025519</p> <p>Mounting bracket, stainless steel, for MINI-BEAM NAMUR</p>
<p>SMB3018SC</p>	<p>3053952</p> <p>Mounting bracket, PTB black, for sensors with 18 mm thread</p>		

Accessories

Dimension drawing	Type	ID no.	
	BT23S	3017276	Glass fiber, sensing mode: Diffuse mode, threaded sleeve (brass), bundle diameter 3.2 mm, flexible stainless steel jacket, ambient temperatures -140...+250 °C

IT23S	3017355	Glass fiber, sensing mode: Opposed mode, threaded sleeve (brass), bundle diameter 3.2 mm, flexible stainless steel jacket, ambient temperatures -140...+250 °C
-------	---------	--

