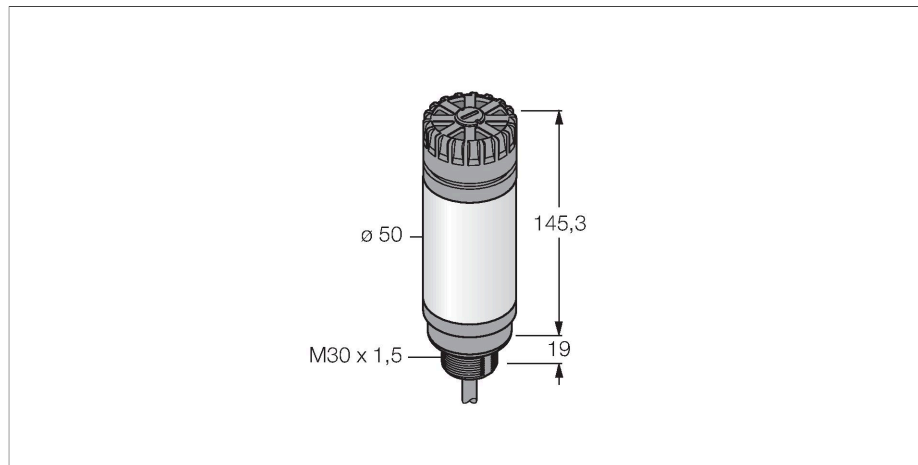


CL50GRXAP

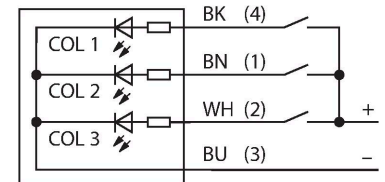
LED Indicator – Tower Light



Features

- LED tower light with beeper
- Individually controllable
- Mechanical screw-in thread M30 x 1.5
- Multicolor: Green (COL 1) / Red (COL 2)
- Cable, 2m
- Operating voltage 10...30 VDC
- Beeper max. 92 dB

Wiring diagram



Functional principle

Multicolor multifunction acoustic signaller
 Rugged and well-priced LED tower, easy to install
 Illuminated segments for clear operator guidance and display of system status.
 Display of up to 3 colors.
 Compact devices, no controller required
 No mounting
 The wiring diagram shows the PNP input configuration. An instruction leaflet with detailed information about the connection is included with the devices.

Technical data

Type	CL50GRXAP
ID	3010489
Signal and display data	
Purpose	LED indicator light
Function	Tower light
Light type	Green Red
Dimmable	No
Features of color 1	Green, Permanently on, 72 lm
Features of color 2	Red, Permanently on, 38 lm
Acoustic signal	Continuous tone, 92 dB
Electrical data	
Operating voltage	18...30 VDC
Max. current consumption per color	100 mA
Max. current consumption of beeper	25 mA
Input type	PNP
Response time typical	< 10 ms
Mechanical data	
Cascadable	No
Design	Smooth barrel, CL50
Dimensions	Ø 50 x 145.3 mm
Housing material	Plastic, ABS/Polycarbonate, Black
Window material	Polycarbonate, diffuse
Electrical connection	Cable, 2 m, PVC
Number of cores	5
Ambient temperature	-20...+50 °C
Relative humidity	0...95 %

Technical data

Protection class	IP50
------------------	------

Tests/approvals

Approvals	CE, UL listed
-----------	---------------