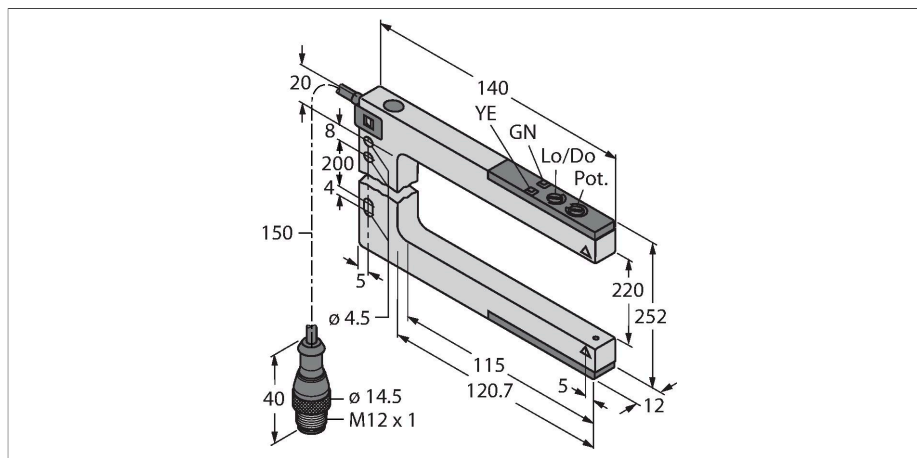


SLM220B6QPMA

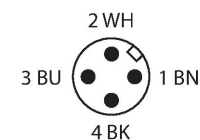
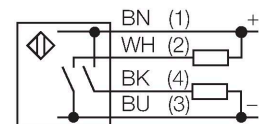
Photoelectric Sensor – Bifurcated Retroreflective Sensor



Features

- Cable with male end M12 × 1, PUR, 150 mm
- Protection class IP67
- Sensitivity adjusted via potentiometer
- Operating voltage: 10...30 VDC
- Switching output, bipolar, light or dark operation

Wiring diagram



Functional principle

Bifurcated retro-reflective sensors and opposed mode sensors - The advantages of two sensor types combined in a single compact housing. Additional alignment of emitter and receiver is no longer required. The slot widths are 10 mm, 30 mm, 50 mm, 80 mm, 120 mm and 220 mm. The sensor features a potentiometer to adjust the sensitivity and a rotary switch to set light or dark switching.


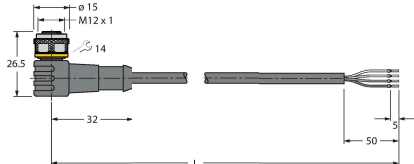
Technical data

| | |
|------------------------------|--|
| Type | SLM220B6QPMA |
| ID no. | 3075036 |
| Optical data | |
| Function | Slot sensor |
| Operating mode | Emitter/receiver pair |
| Light type | Red |
| Wavelength | 680 nm |
| Range | 220 mm |
| Slot width | 220 mm |
| Electrical data | |
| Operating voltage | 10...30 VDC |
| Residual ripple | < 10 % U _{ss} |
| DC rated operational current | ≤ 100 mA |
| No-load current | ≤ 25 mA |
| Short-circuit protection | yes |
| Reverse polarity protection | yes |
| Output function | NO contact, PNP/NPN |
| Switching frequency | ≤ 1000 Hz |
| Readiness delay | ≤ 100 ms |
| Response time typical | < 0.5 ms |
| Setting option | Potentiometer |
| Mechanical data | |
| Design | Fork, SLM220 |
| Dimensions | 140 x 12 x 252 mm |
| Housing material | Metal, Zinc Die-Cast with Nickel-Plating |
| Lens | plastic, Acrylic |

Technical data

| | |
|------------------------|--|
| Electrical connection | Cable with connector, M12 × 1, 0.15 m, PUR |
| Number of cores | 4 |
| Ambient temperature | -20...+60 °C |
| Relative humidity | 0...95 % |
| Protection class | IP67 |
| Power-on indication | LED, Green |
| Switching state | LED, Yellow |
| Error indication | LED |
| Alarm display | LED yellow Flashing |
| Tests/approvals | |
| Approvals | CE |

Accessories

| Dimension drawing | Type | ID no. | |
|---|---------------|---------|--|
|  | RKC4.4T-2/TXL | 6625503 | Connection cable, female M12, straight, 4-pin, cable length: 2 m, sheath material: PUR, black; cULus approval; other cable lengths and qualities available, see www.turck.com |
|  | WKC4.4T-2/TXL | 6625515 | Connection cable, female M12, angled, 4-pin, cable length: 2 m, sheath material: PUR, black; cULus approval; other cable lengths and qualities available, see www.turck.com |