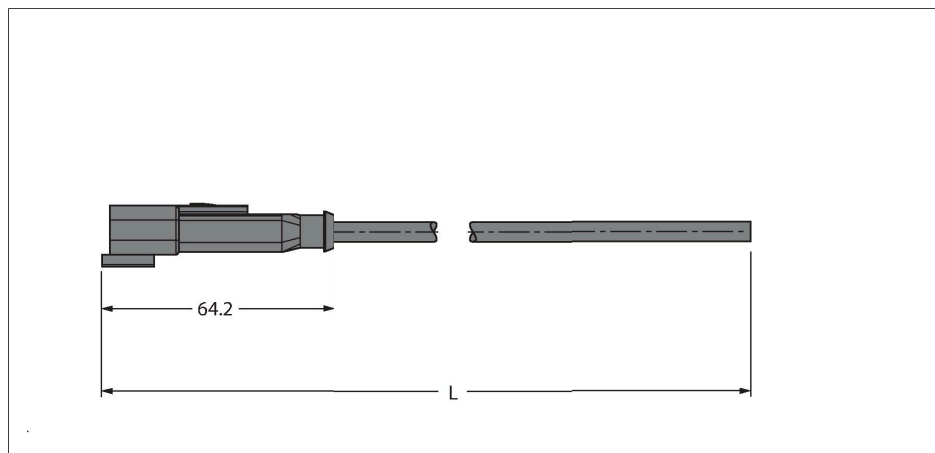


DT04-2P-S-2/TXL

Deutsch Connector – Connection Cable



Features



- Deutsch connector DT04, straight, 2-pin
- With protective circuitry (suppressor diode)
- With LED (yellow, 360° visible)
- Jacket material: TPE-U (PUR)
- Jacket color: black, similar to RAL 7021
- Suitable for drag chain use
- Flame retardant
- Halogen free acc. to DIN VDE 0472 part 815
- RoHS compliant
- Protection classes IP67 and IP69K
- Cable length: 2.0 m

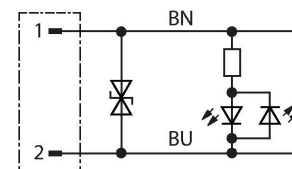
Technical data

Type	DT04-2P-S-2/TXL
ID	100000243
Connector A	Male, Deutsch DT, Straight
Number of Pins	2
Contacts	Brass, CuZn, Nickel-plated
Contact carriers	Plastic, Thermoplast, Yellow
Connector body	Plastic, TPU, UL 94, Black
Protective component	Suppressor diode
Coupling nut/screw	Nickel-plated
Seal	Plastic, Silicone
Display operating voltage	LED, Yellow
Mechanical lifespan	> 100 Mating cycles
Protection class	IP67, IP69K, (plugged)
Cable	
Cable diameter	Ø 5 mm ±0.15
Cable length	2 m
Cable jacket	PUR, Black
Core insulation	PP
Core cross-section	2 x 0.75 mm ²
Arrangement of strands	42 x 0.15 mm
Core colors	BN, BU
Electrical properties at +20 °C	
Rated voltage	24 V
Test voltage	3000 V
Current	8 A
Mechanical and chemical properties	
Bending radius (stationary installation)	≥ 5 x Ø

Contact assignment



Circuit Diagram



Technical data

Bending radius (flexible use)	$\geq 10 \times \varnothing$
Bending cycles	≥ 4 million
Admissible acceleration	max. 10 m/s ²
Admissible traversing speed	3.33 m/s
Ambient temperature range (stationary)	-40...+80 °C
Ambient temperature range (In motion)	-25...+80 °C