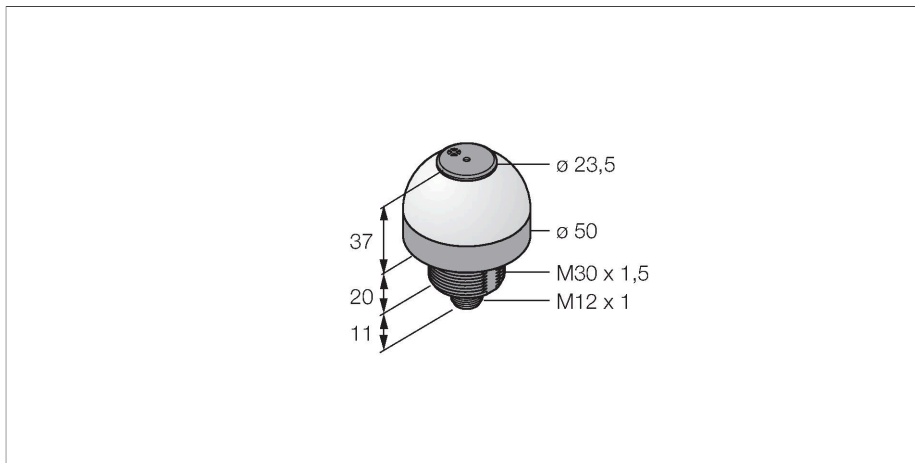


K50LGRA1BPQ

LED Indicator – Beacon with Audible Signal



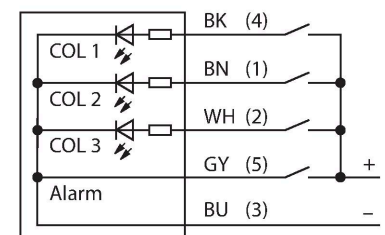
Technical data

Type	K50LGRA1BPQ
ID	3081278
Signal and display data	
Purpose	LED indicator light
Function	Spotlight
Light type	Green Red Blue
Dimmable	No
Features of color 1	Green, Permanently on
Features of color 2	Red
Features of color 3	Blue
Features of color 4	Blue
Acoustic signal	Continuous tone, 75 dB
Electrical data	
Operating voltage	18...30 VDC
DC rated operational current	≤ 40 mA
Max. current consumption per color	40 mA
Max. current consumption of beeper	40 mA
Input type	PNP
Response time typical	< 10 ms
Mechanical data	
Cascadable	No
Design	Dome, K50L
Dimensions	Ø 50 x 68 mm
Housing material	Plastic, PC ABS, Black

Features

- LED all-round visible
- Continuous signal: 75dB
- Individually controllable
- Mechanical screw-in thread M30x1.5
- Protection class IP50
- Multicolor: Green (COL 1) / Red (COL 2) / Blue (COL 4)
- Male M12 x 1, 5-pin
- Operating voltage 18...30 VDC

Wiring diagram



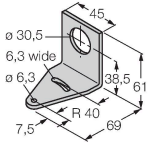
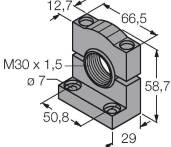
Functional principle

The rugged and IP50 rated LED is qualified for industrial environments. Depending on the connection, one of the three colors lights steady for the duration of a PNP input signal.

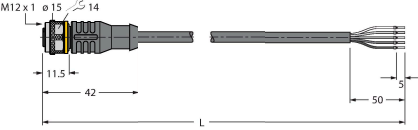
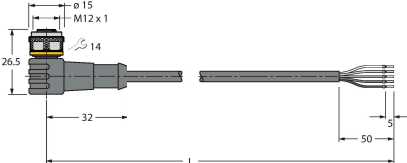
Technical data

Window material	Polycarbonate, diffuse
Electrical connection	Connector, M12 × 1, PVC
Number of cores	5
Ambient temperature	-20...+50 °C
Relative humidity	0...90 %
Protection class	IP50
Tests/approvals	
Approvals	CE, UL listed

Accessories

SMB30A	3032723	SMB30SC	3052521
	Mounting bracket, rectangular, stainless steel, for sensors with 30mm thread		Mounting bracket, PBT black, for sensors with 30 mm thread, rotatable

Accessories

Dimension drawing	Type	ID	
	RKC4.5T-2/TEL	6625016	Connection cable, M12 female connector, straight, 5-pin, cable length: 2 m, jacket material: PVC, black; cULus approval
	WKC4.5T-2/TEL	6625028	Connection cable, M12 female connector, angled, 5-pin, cable length: 2 m, jacket material: PVC, black; cULus approval